

REQUIRED MATERIALS:



• **Two (2) Capable Adults**



• **Wood Board (scrap)**



• **Sawhorse or Support Table**

• **Garden Hose or Sand**



InstaHop



No Tools Required!



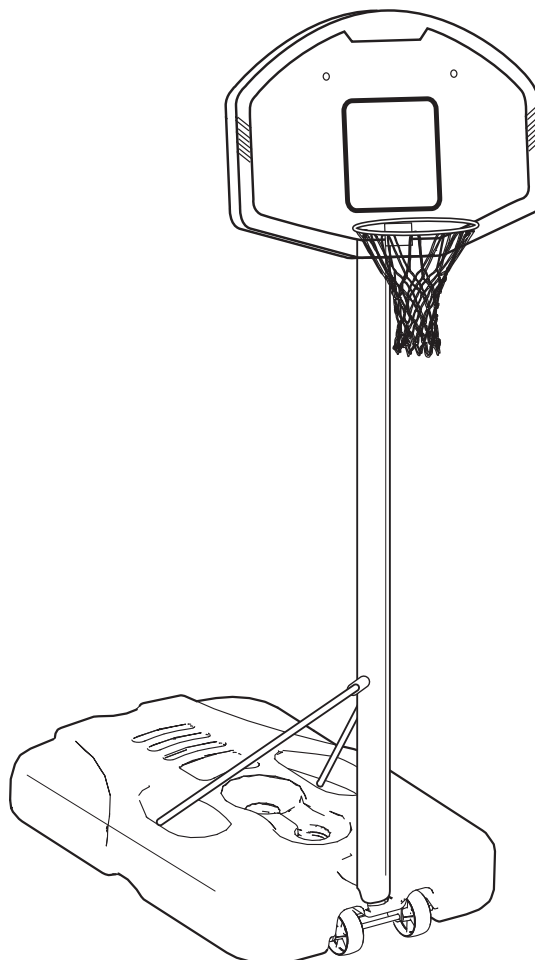
Easy Assembly!



90% Less Time!

Portable Basketball System Owner's Manual

1-800-Spalding



Adult Assembly Required.

This manual, accompanied by sales receipt, should be saved and kept on hand as a convenient reference, as it contains important information about your model.



WARNING!

READ AND UNDERSTAND OPERATOR'S MANUAL BEFORE USING THIS UNIT.

FAILURE TO FOLLOW OPERATING INSTRUCTIONS COULD RESULT IN INJURY OR DAMAGE TO PROPERTY.

Write Model Number From Box Here:

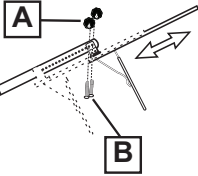
Toll-Free Customer Service Number for U.S: **1-800-772-5346**, For Canada: **1-800-284-8339**,
For Europe: **00 800 555 85234** (Sweden: **009 555 85234**), For Australia: **1300 367 582**
Internet Address: **www.spalding.com www.spalding.com.au**

15

HEIGHT ADJUSTMENT

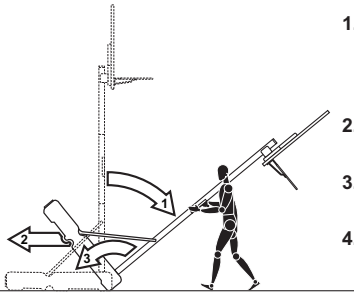
Rest unit on support table. Remove adjustment knobs (A) and carriage bolts (B) to extend or retract backboard and rim. Height adjustment from 7-1/2' to 10'.

WARNING
Backboard may rotate during height adjustment.



WARNING
Do not adjust height of system in upright position. System must be in down position to adjust.

MOVING SYSTEM



1. While holding pole, rotate basketball system forward until wheels engage with ground.
2. Move basketball system to desired location.
3. Carefully rotate basketball system upright.
4. Check system for stability.

5E2356 05/05



WARNING

Read and understand warnings listed below before using this product.

Failure to follow these warnings may result in serious injury and/or property damage.

Owner must ensure that all players know and follow these rules for safe operation of the system.

- DO NOT HANG on the rim or any part of the system including backboard, support braces or net.
- During play, especially when performing dunk type activities, keep player's face away from the backboard, rim and net. Serious injury could occur if teeth/face come in contact with backboard, rim or net.
- Do not slide, climb, shake or play on base and/or pole.
- After assembly is complete, fill system completely with water or sand and stake to the ground. Never leave system in an upright position without filling base with weight, as system may tip over causing injuries.
- When adjusting height or moving system, keep hands and fingers away from moving parts.
- Do not allow children to move or adjust system.
- During play, do not wear jewelry (rings, watches, necklaces, etc.). Objects may entangle in net.
- Surface beneath the base must be smooth and free of gravel or other sharp objects. Punctures cause leakage and could cause system to tip over.
- Keep organic material away from pole base. Grass, litter, etc. could cause corrosion and/or deterioration.
- Check pole system for signs of corrosion (rust, pitting, chipping) and repaint with exterior enamel paint. If rust has penetrated through the steel anywhere, replace pole immediately.
- Check system before each use for proper ballast, loose hardware, excessive wear and signs corrosion and repair before use.
- Check system before each use for instability.
- Do not use system during windy and/or severe weather conditions; system may tip over. Place system in the storage position and/or in an area protected from the wind and free from personal property and/or overhead wires.
- Never play on damaged equipment.
- See instruction manual for proper installation and maintenance.
- When moving system, use caution to keep mechanism from shifting.
- Keep pole top covered with cap at all times.
- Do not allow water in tank to freeze. During sub-freezing weather add 2 gallons of non-toxic antifreeze, sand or empty tank completely and store. (Do not use salt.)
- While moving system, do not allow anyone to stand or sit on base or have added ballasting on base.
- Do not leave system unsupervised or play on system when wheels are engaged for moving.
- Use Caution when moving system across uneven surfaces. System may tip over.
- Use extreme caution if placing system on sloped surface. System may tip over more easily.

SPALDING

In the U.S.: 1-800-558-5234
In Canada: 1-800-284-8339
In Australia: 1-300-367-582

SURE SHOT

In the U.S.: 1-800-558-5234

RUSSELL

Trademarks registered
in the USA and other countries.

ID#: 55679001 02/12

HYDRA-RIB

In the U.S.: 1-800-334-9111

HUFFY SPORTS

In the U.S.: 1-800-558-5234
In Canada: 1-800-284-8339



SAFETY INSTRUCTIONS



FAILURE TO FOLLOW THESE SAFETY INSTRUCTIONS MAY RESULT IN SERIOUS INJURY OR PROPERTY DAMAGE AND WILL VOID WARRANTY.

Owner must ensure that all players know and follow these rules for safe operation of the system.

To ensure safety, do not attempt to assemble this system without following the instructions carefully. Proper and complete assembly, use, and supervision are essential for proper operation and to reduce the risk of accident or injury. A high probability of serious injury exists if this system is not installed, maintained, and operated properly.

- If using a ladder during assembly, use extreme caution.
- Check base regularly for leakage. Slow leaks could cause the system to tip over unexpectedly.
- Seat the pole sections properly (if applicable). Failure to do so could allow the pole sections to separate during play and/or during transport of the system.
- Climate, corrosion or misuse could result in system failure.
- If technical assistance is required, contact Customer Service.
- Minimum operational height is 6' 6" (1.98m) to the bottom of backboard.

*Most injuries are caused by misuse and/or not following instructions.
Use caution when using this unit.*

NOTICE TO ASSEMBLERS

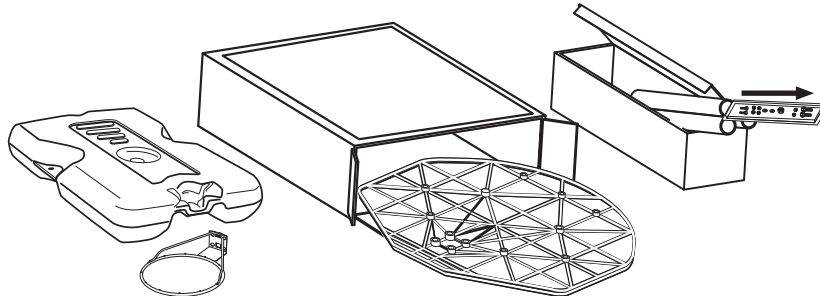
Adult Assembly Required. Dispose of ALL packaging materials promptly. As with all products, periodically inspect for loose small parts.

Assembled unit MUST be filled with sand or water at ALL times.

ALL basketball systems, including those used for DISPLAYS, MUST be assembled and installed according to instructions. Failure to follow instructions could result in SERIOUS INJURY. It is NOT acceptable to devise a makeshift support system.

IMPORTANT!

**Remove all contents from boxes.
Be sure to check inside pole sections;
hardware and additional parts are packed inside.**



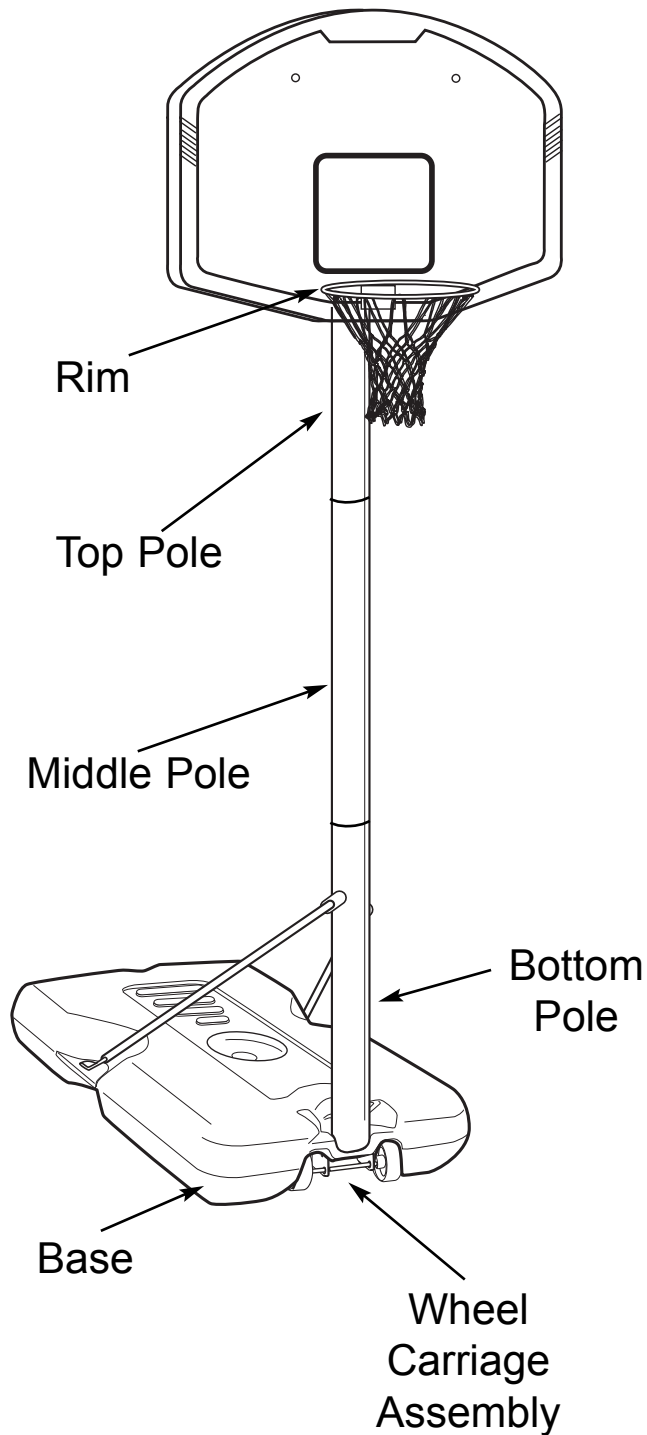
Questions or Missing Parts?

DON'T go back to store!

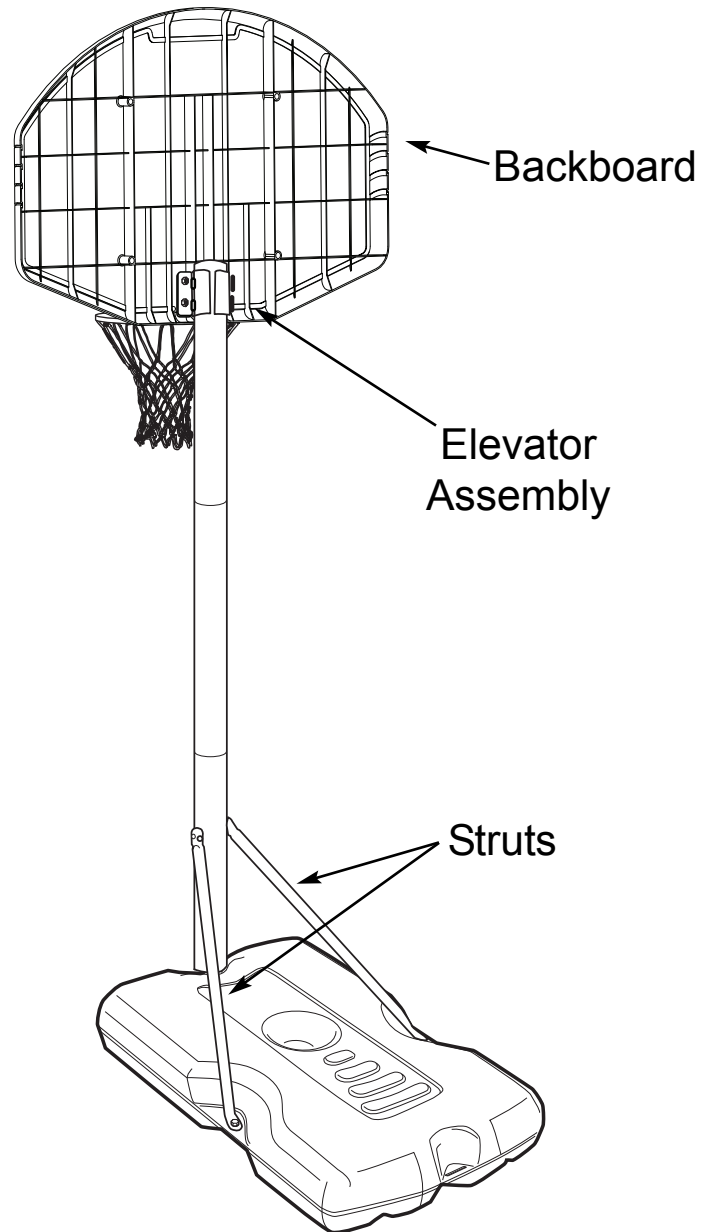
Call TOLL-FREE Customer Service
Number listed on the front page!

Get to know the basic parts of your basketball system...

FRONT VIEW



BACK VIEW

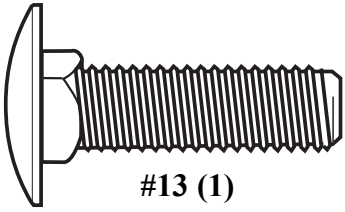


PARTS LIST

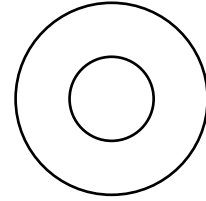
<input checked="" type="checkbox"/> <u>Item</u>	<u>Qty.</u>	<u>Part No.</u>	<u>Description</u>
<input type="checkbox"/> 1	1	206646	Base (Black)
<input type="checkbox"/> 2	1	200628	Wheel Axle
<input type="checkbox"/> 3	2	226401	Wheel
<input type="checkbox"/> 4	1	FR908200	Top Pole Section
<input type="checkbox"/> 5	1	FR908246	Middle Pole Section with Label
<input type="checkbox"/> 6	1	FR900644	Bottom Pole Section Assembly
<input type="checkbox"/> 7	1	203041	Nut, Hex Flange, 3/8-16
<input type="checkbox"/> 8	1		Net
<input type="checkbox"/> 9	1	201342	Wheel Bracket
<input type="checkbox"/> 10	2	201651	Spacer, Wheel Axle
<input type="checkbox"/> 11	1	902319	Reinforcement Bracket
<input type="checkbox"/> 12	1	600138	Cap, Pole
<input type="checkbox"/> 13	1	266001	Bolt, Carriage, 3/8-16 x 1.5" Long
<input type="checkbox"/> 14	1	203617	Plug
<input type="checkbox"/> 15	1	5E2356	Label, Moving System and Height Adjustment
	1	FR5E2356	Label, Moving System and Height Adjustment, French
<input type="checkbox"/> 16	3	203084	Bolt, Carriage, 5/16-18 x 1.75" Long
<input type="checkbox"/> 17	5	201344	Knob, Plastic, 3-sided
<input type="checkbox"/> 18	1		Rim
<input type="checkbox"/> 19	2	203053	Bolt, Carriage 5/16-18 x 4" Long
<input type="checkbox"/> 20	1	900253	Pole Mounting Bracket
<input type="checkbox"/> 21	3	203309	Washer, 0.406" I.D. x 1.0" O.D.
<input type="checkbox"/> 22	1		Backboard

* You may have extra parts with this model.

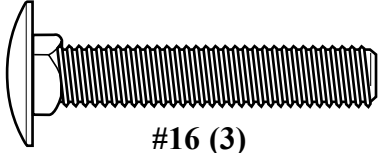
PARTS IDENTIFIER- Actual Size



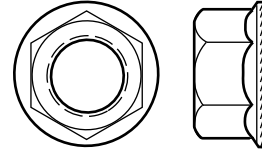
#13 (1)



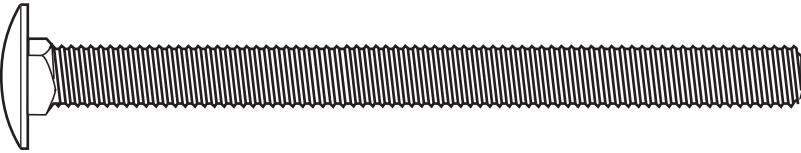
#21 (3)



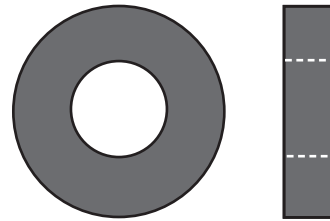
#16 (3)



#7 (1)

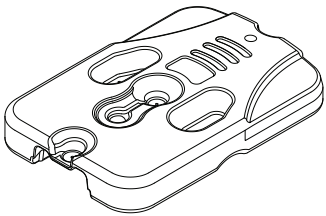


#19 (2)

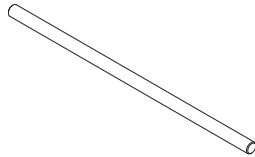


#10 (2)

PARTS IDENTIFIER- Not Actual Size



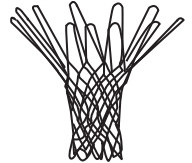
#1 (1)



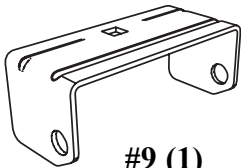
#2 (1)



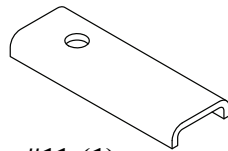
#3 (2)



#8 (1)



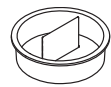
#9 (1)



#11 (1)



#12 (1)



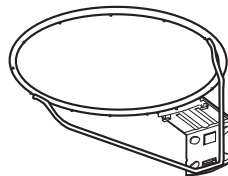
#14 (1)



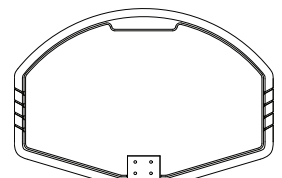
#17 (5)



#20 (1)



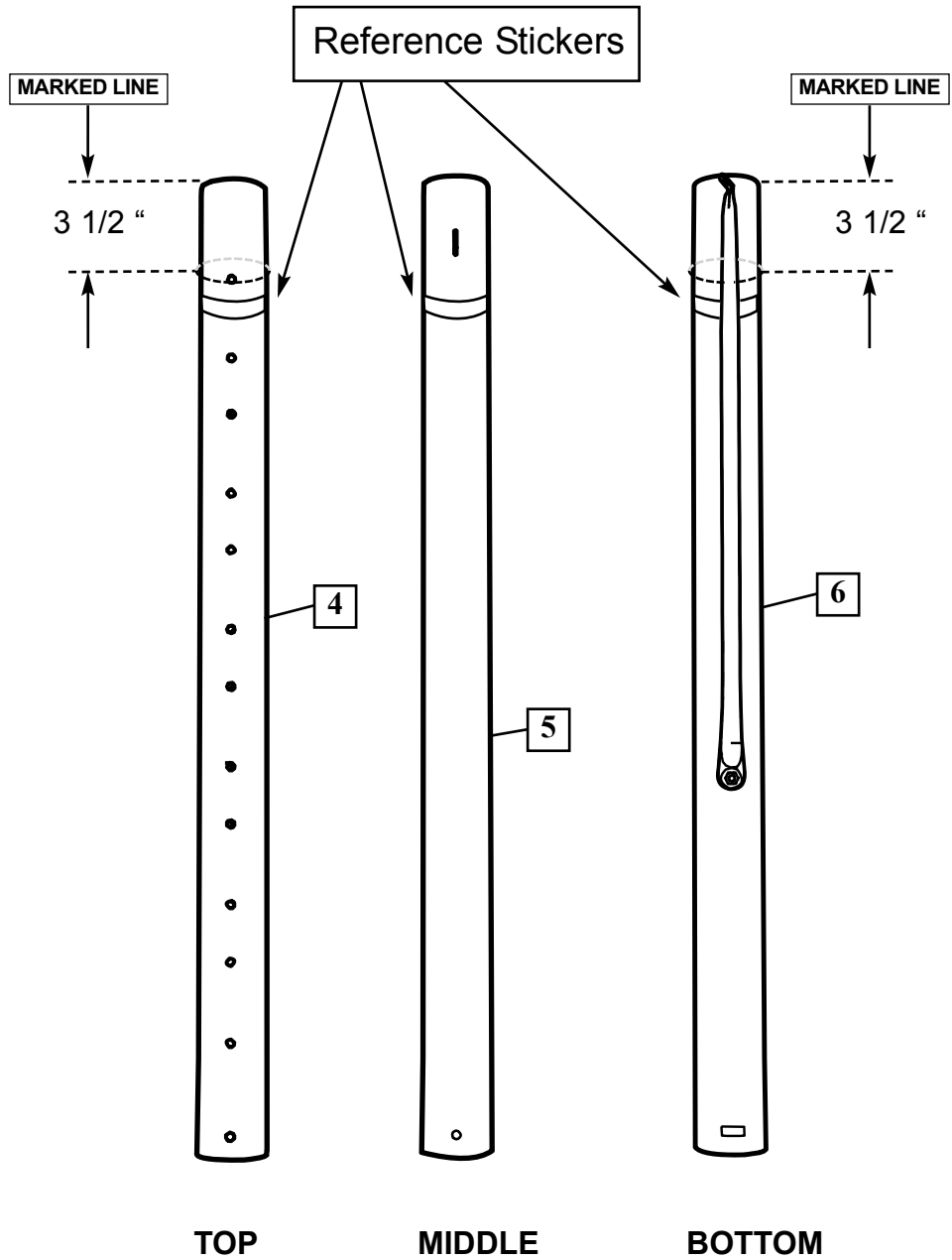
#18 (1)



#22 (1)

1.

Correctly identify each pole section.



2.

Measure and mark a line 3 1/2" from top end of middle pole (5). Note: Avoid scratching the paint on the pole. While maintaining alignment, bounce middle pole section (5) into top section (4) using a wood scrap as shown until the top pole is aligned with the marked line on the middle pole. You should have 3 1/2" of overlap when properly assembled.



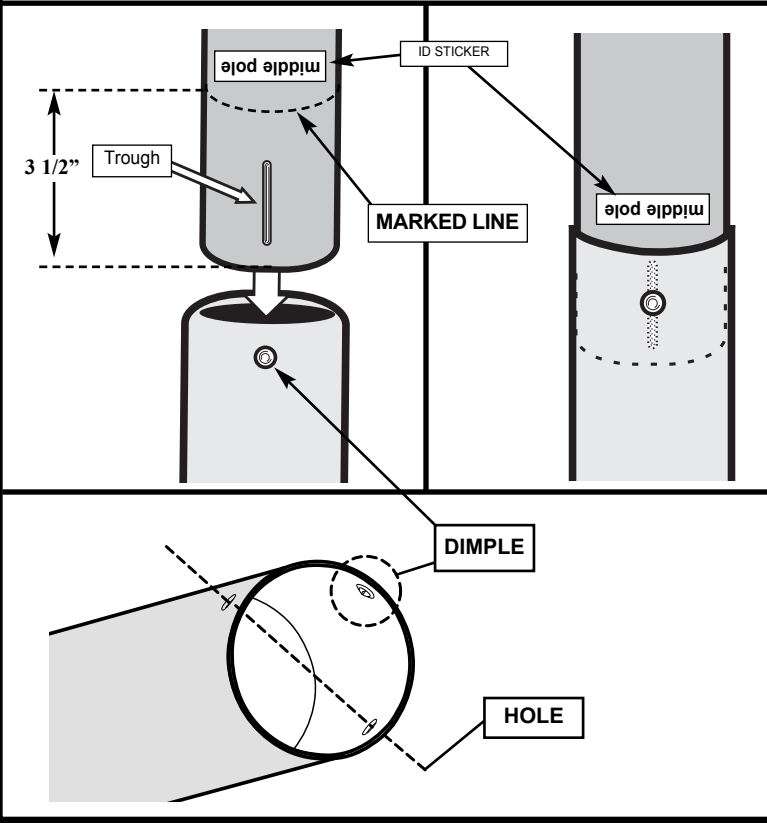
CAUTION!

WHEN PROPERLY ASSEMBLED THE POLE SECTIONS SHOULD HAVE A 3-1/2" OVERLAP.

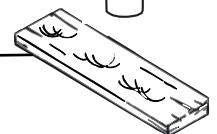


IMPORTANT!

Align dimple of top pole section (4) into trough of middle pole section (5) as shown.



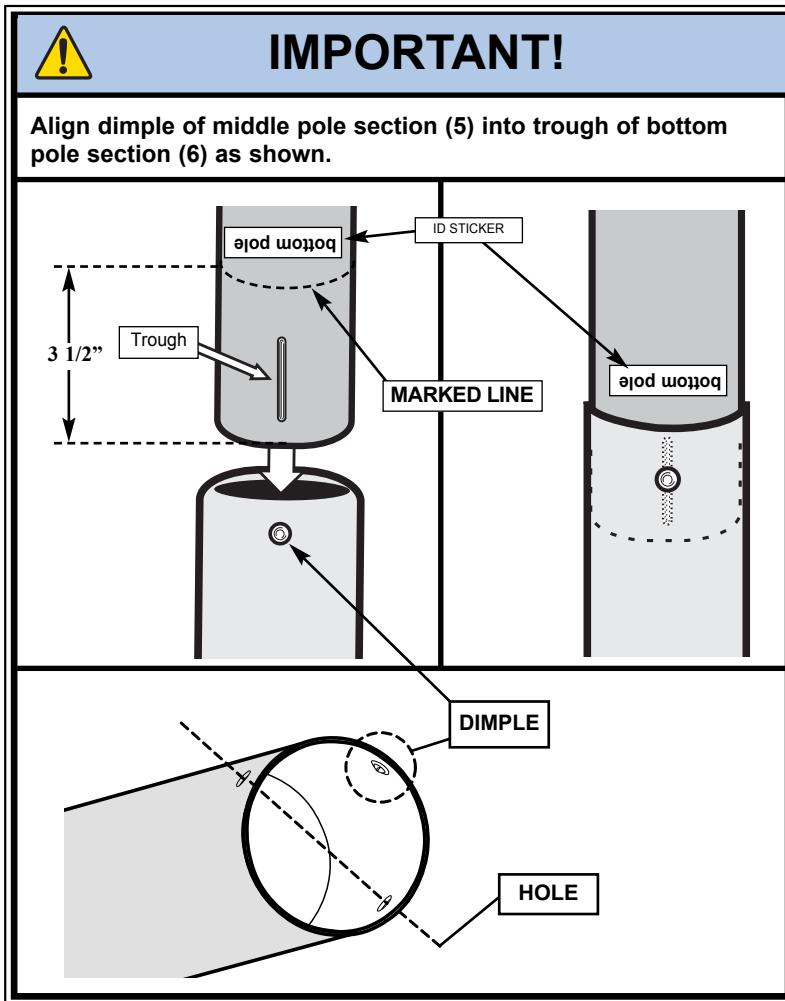
Wood Scrap (not supplied)



- 3.** Measure and mark a line 3 1/2" from top end of bottom pole (6). Note: Avoid scratching the paint on the pole. While maintaining alignment, Bounce top and middle pole assembly (4 and 5) onto bottom pole section (6) using a wood scrap as shown. Bounce until the top and middle pole assembly is aligned with the marked line on the bottom pole, You should have 3 1/2" of overlap when properly assembled.

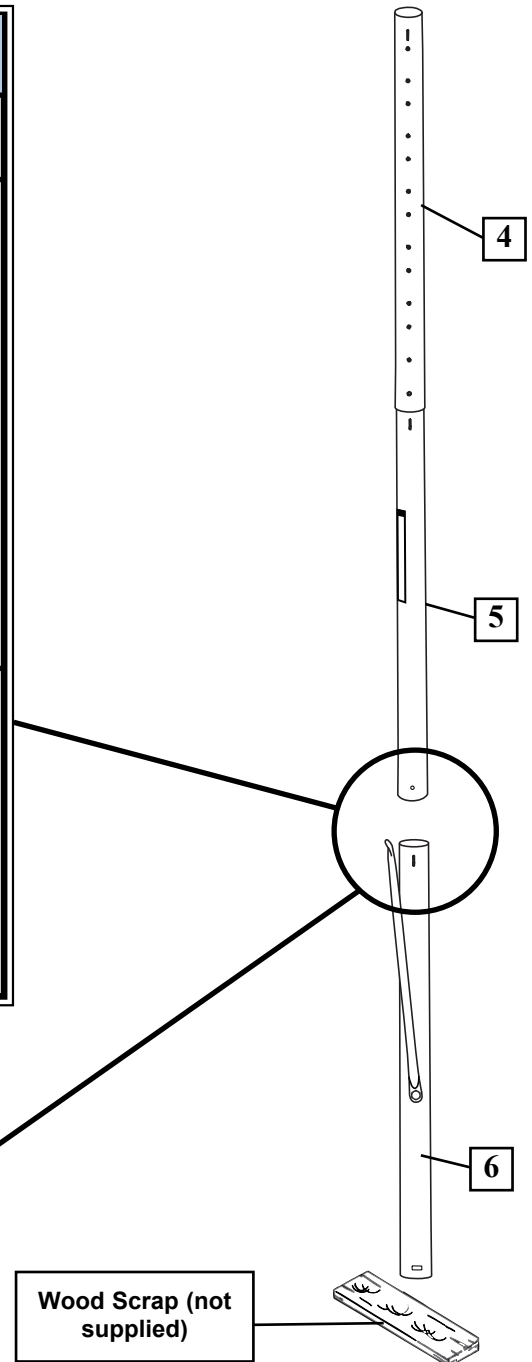
CAUTION!

WHEN PROPERLY ASSEMBLED THE POLE SECTIONS SHOULD HAVE A 3-1/2" OVERLAP.



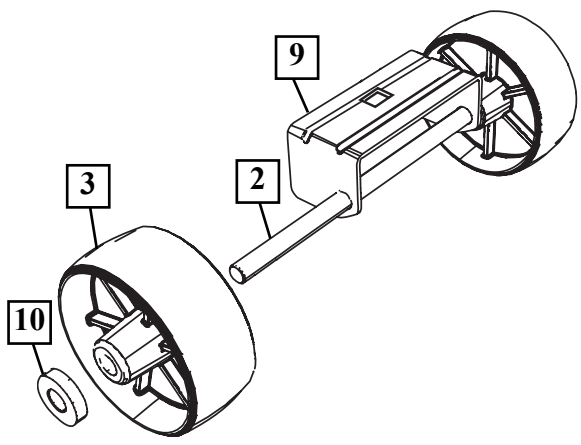
WARNING!

DURING POLE SECTION ASSEMBLY, THE PRE ASSEMBLED STRUTS WILL NEED TO BE SECURED USING TAPE OR OTHER MEANS.



3.

Install wheel axle (2) through wheel bracket (9) and install wheels (3) onto wheel axle (2) with spacers (10) as shown.

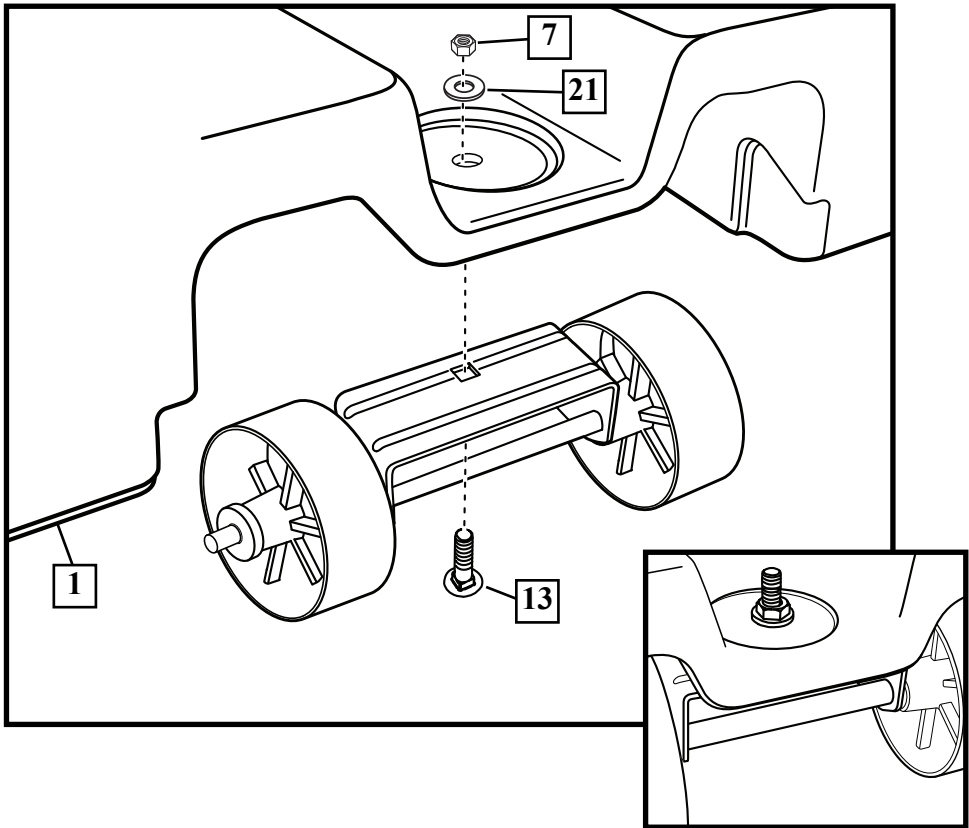


! IMPORTANT!

THE SPACER (10) WILL FIT LOOSELY UNTIL SECURED INTO THE CAVITY OF THE BASE.

4.


Attach wheel carriage assembly to base (1) with bolt (13), washer (21), and nut (7) as shown. FINGER TIGHTEN - NO TOOLS REQUIRED. Assembly will be fully tightened in next step.



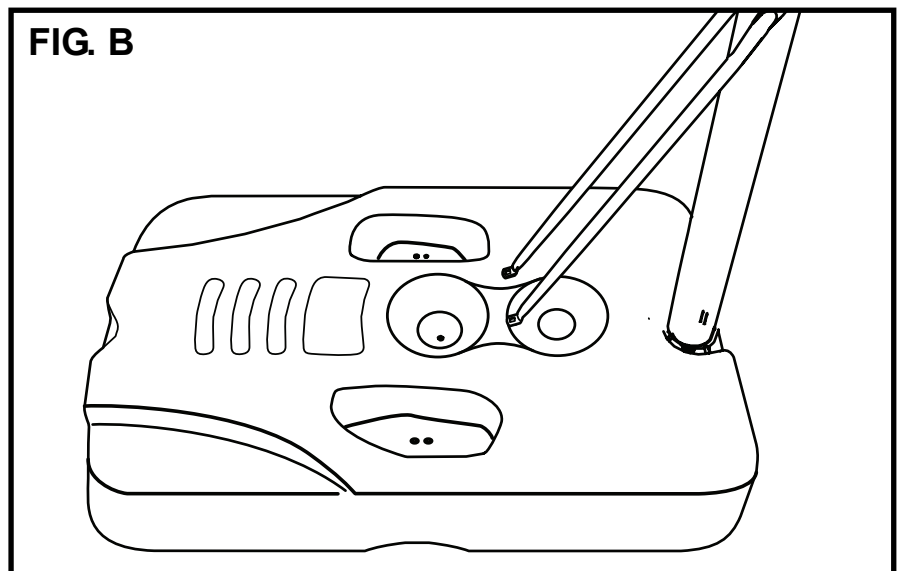
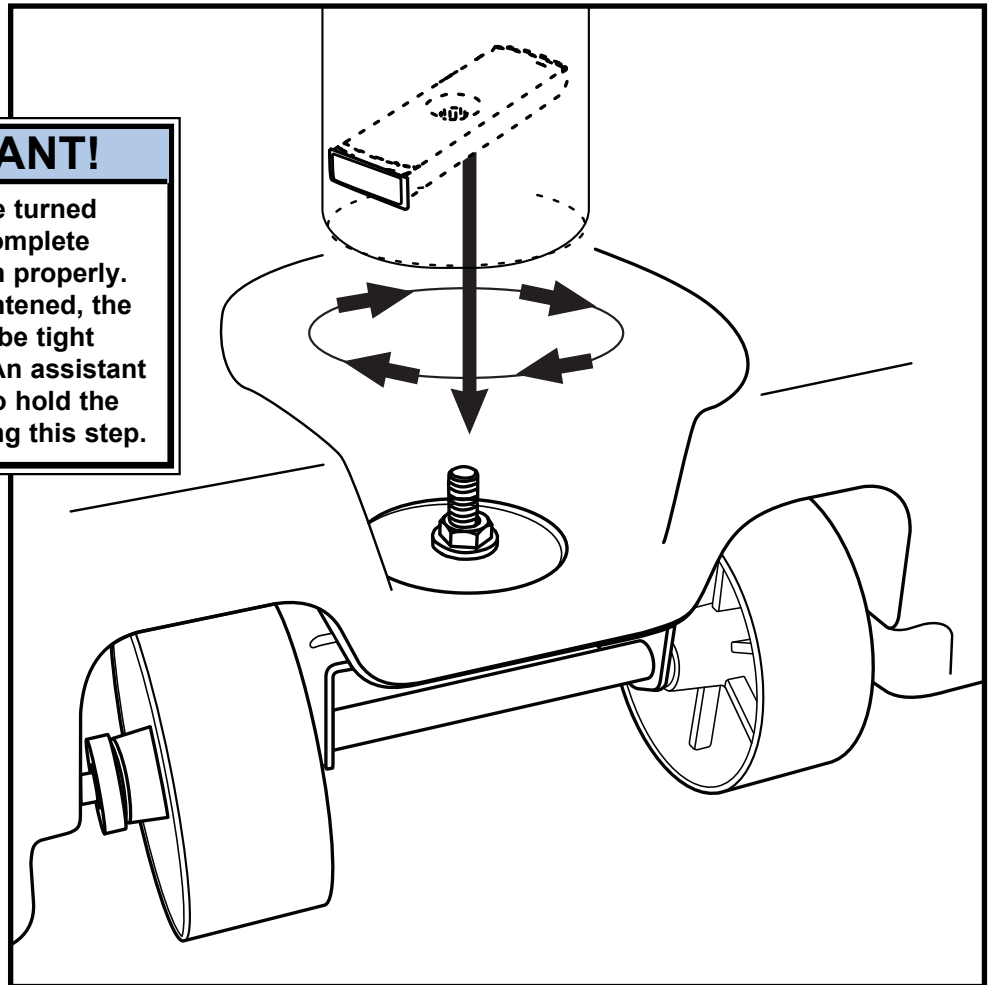
! IMPORTANT!

BE SURE THAT THE **SQUARE** PORTION OF THE CARRIAGE BOLT (13) IS PROPERLY SEATED IN THE **SQUARE** CUT-OUT OF THE WHEEL BRACKET.

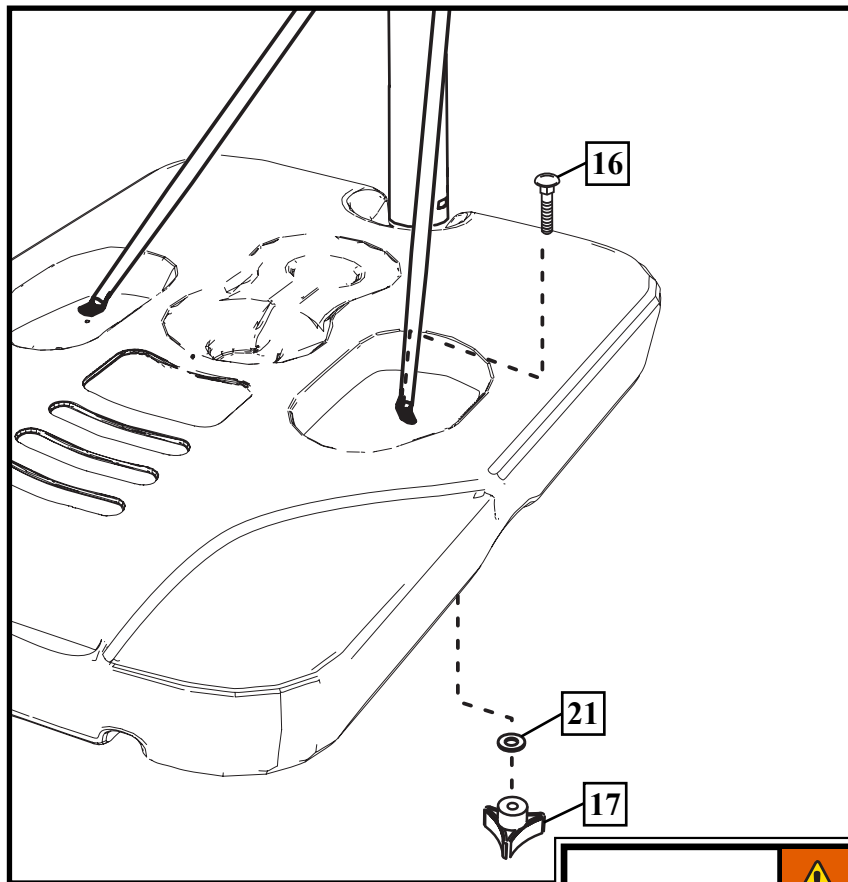
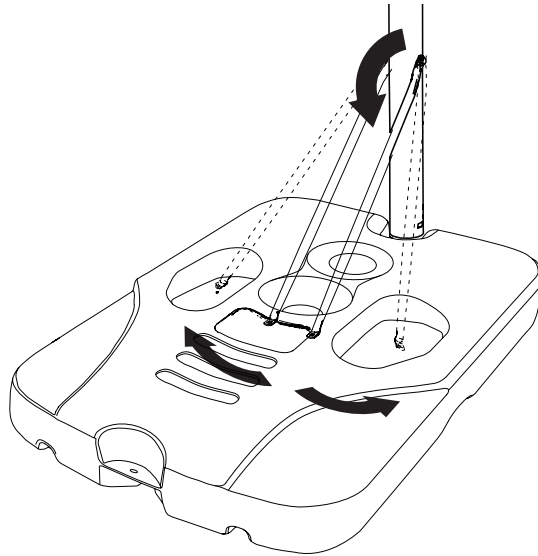
- 5.** Attach pole assembly to base assembly as shown. Secure pole assembly to base and wheel bracket by turning the pole assembly clockwise as shown. Tighten pole completely and further rotate pole until struts are aligned correctly as shown in **FIG B**.

	IMPORTANT!
	The pole should be turned approximately 7 complete rotations to tighten properly. When properly tightened, the wheel bracket will be tight against the base. An assistant is recommended to hold the base in place during this step.

	WARNING!
	
TWO CAPABLE ADULTS REQUIRED FOR THIS PROCEDURE. FAILURE TO FOLLOW THIS WARNING COULD RESULT IN SERIOUS INJURY AND/OR PROPERTY DAMAGE.	



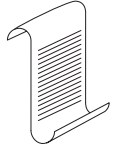
6. Rotate struts down and bend struts outward to line up with holes on base as shown. Secure free ends of base struts to base with carriage bolt (16), washer (21), and knob (17) as shown. Repeat for other side.



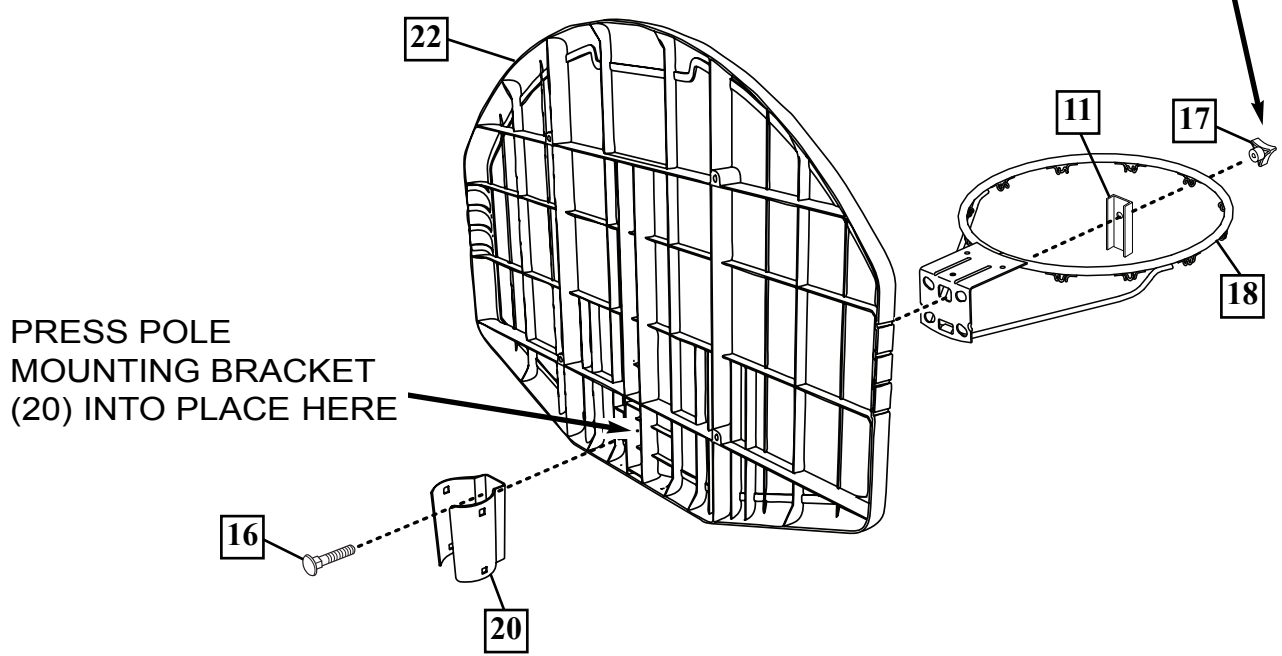
	<p>! WARNING! KNOBS MUST BE TIGHTENED COMPLETELY AND CHECKED PERIODICALLY FOR TIGHTNESS.</p>
--	---

7.

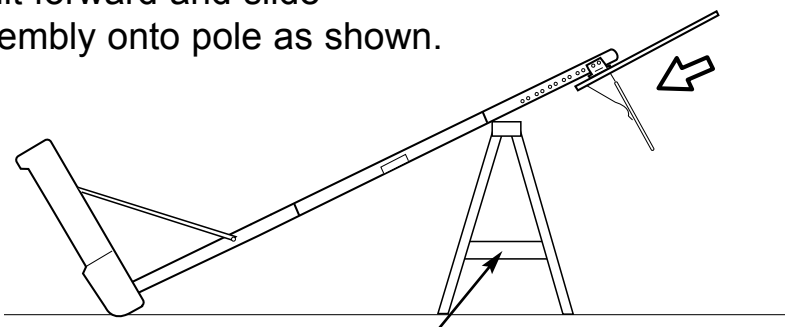
Pole mounting bracket (20) will need to be lightly pressed into backboard ribbing. Be sure to press completely into place. Attach rim (18) to backboard (22) and pole mounting bracket (20) with knob (17), reinforcement bracket (11), and carriage bolt (16) as shown. Tighten knob completely.

	NOTE:
	BOARD STYLE MAY VARY

	WARNING!
	KNOB MUST BE TIGHTENED COMPLETELY AND CHECKED FOR TIGHTNESS BEFORE EACH USE.



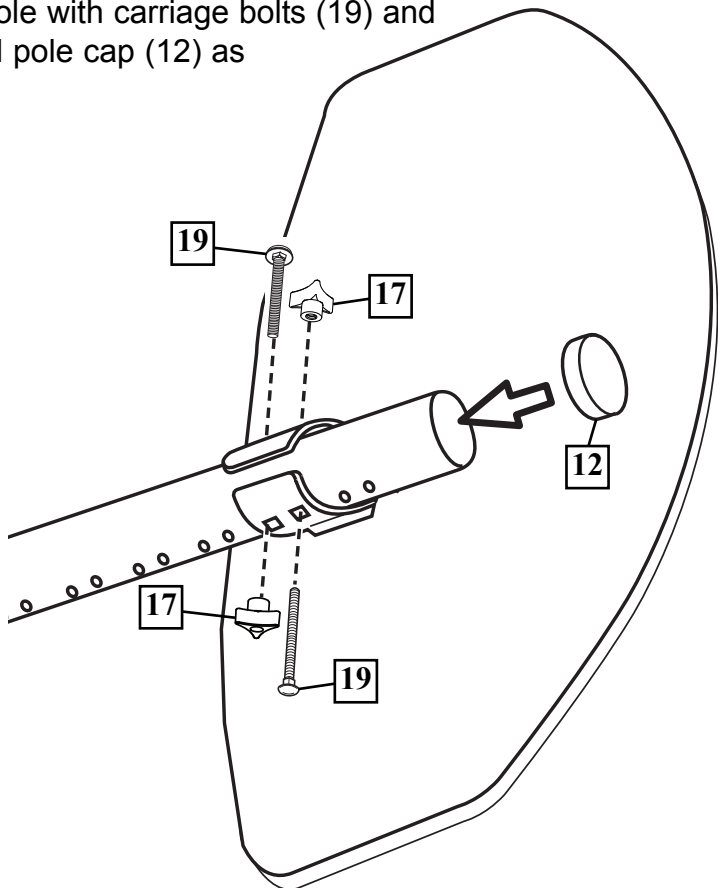
Carefully tip unit forward and slide backboard assembly onto pole as shown.



SAWHORSE OR SUPPORT TABLE

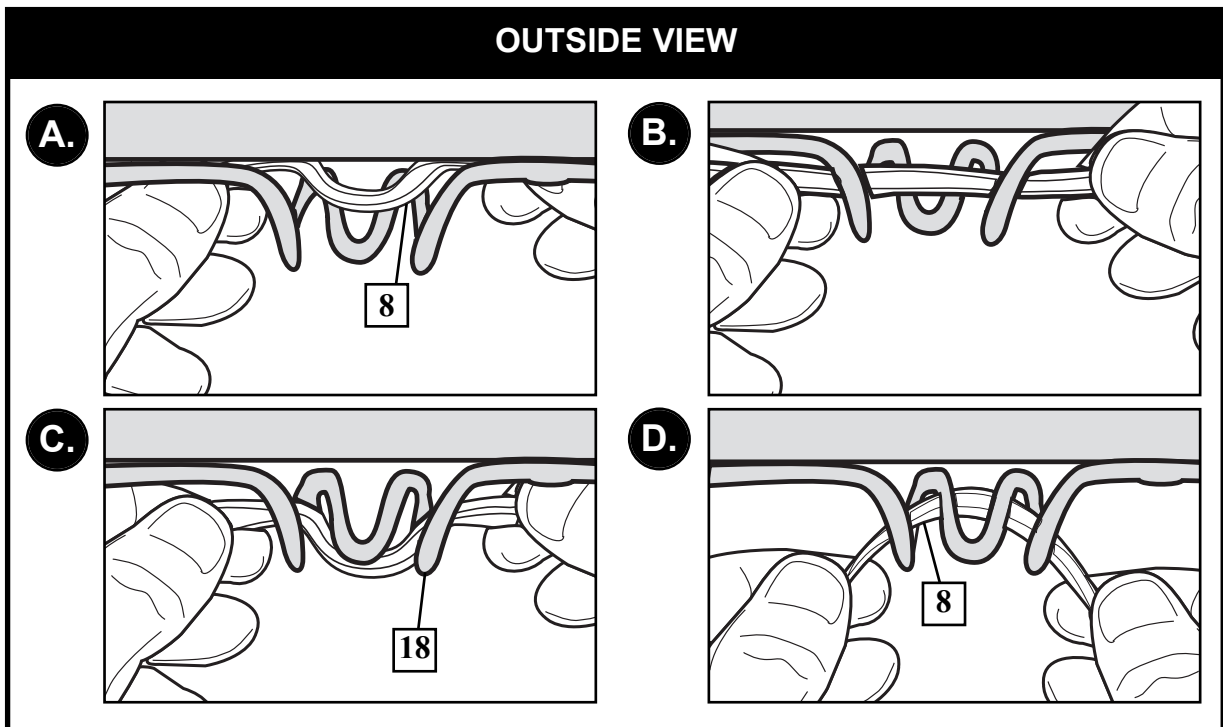
8.

Attach board assembly to pole with carriage bolts (19) and knobs (17) as shown. Install pole cap (12) as shown.

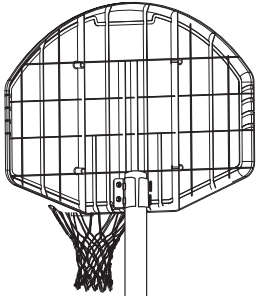


9.

Install net (8)

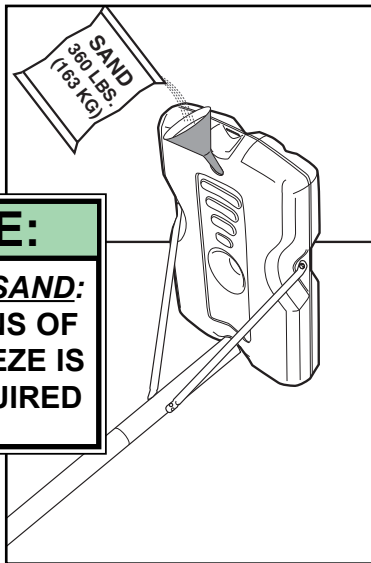
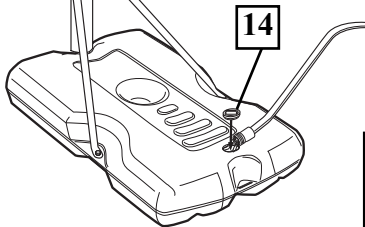


- 10.** Place assembled unit in desired location. Fill base with water (26 gallons/98.4 liters) or sand (approx. 360 lb./163 kg) and press plug (14) in place.



	! WARNING!
	DO NOT LEAVE ASSEMBLY UNATTENDED WHEN EMPTY; IT MAY TIP OVER.

! WARNING!
TWO CAPABLE ADULTS REQUIRED FOR THIS PROCEDURE. FAILURE TO FOLLOW THIS WARNING COULD RESULT IN SERIOUS INJURY AND/OR PROPERTY DAMAGE.

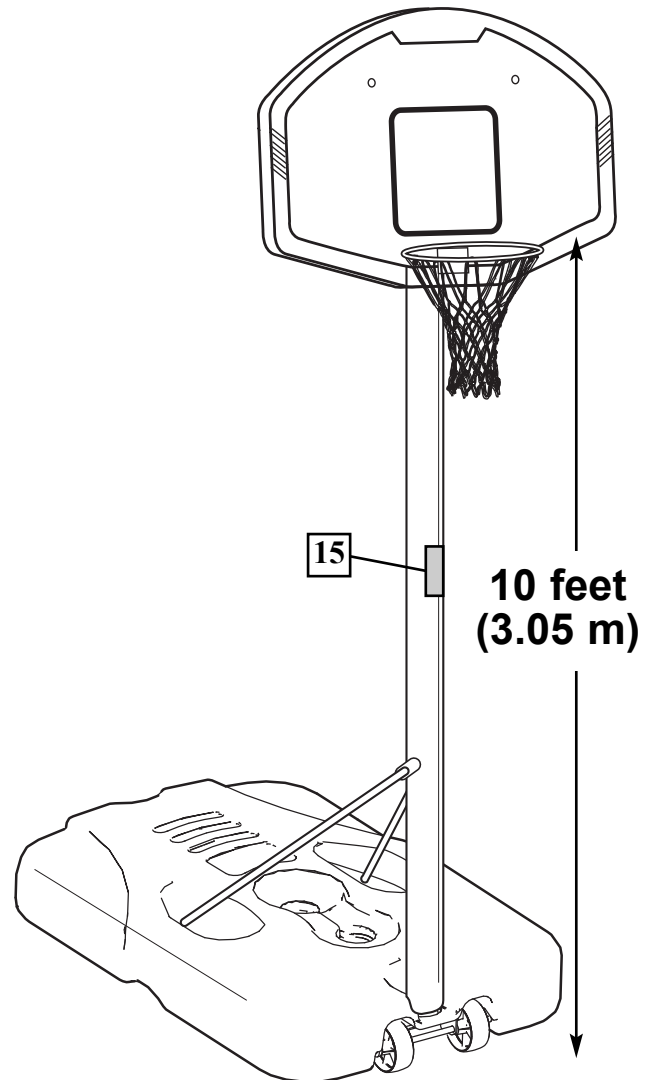


	NOTE:
	IF USING SAND: 2 GALLONS OF ANTI-FREEZE IS NOT REQUIRED

	! CAUTION!
	ADD TWO GALLONS (7.6 LITERS) OF NON-TOXIC ANTIFREEZE IN SUB-FREEZING CLIMATES.

- 11.** Attach height adjustment and soving system label (15) to front of pole as shown. Regulation rim height is 10 feet (3.05 m).

	! CAUTION!
	HEIGHT ADJUSTMENT AND MOVING SYSTEM LABEL (15) MUST NOT OBSTRUCT FACTORY ATTACHED WARNING LABEL.



Système de basket-ball portable Manuel d'utilisation

Tragbares Basketballsystem Benutzerhandbuch

Sistema portátil de baloncesto Manual del Propietario

Assemblage exclusivement réservé à un adulte.

Zusammenbau nur durch Erwachsene ALLE Verpackungsmaterialien sofort wegwerfen.

Se requiere que un adulto realice el montaje.

Ce manuel, accompagné du justificatif d'achat, devra être conservé pour référence ultérieure, dans la mesure où il contient des informations importantes sur votre modèle.

Diese Anleitung sollte zusammen mit dem Kaufbeleg griffbereit aufbewahrt werden, da sie wichtige Informationen über Ihr Modell enthält.

Debe conservar este manual junto con el recibo de la compra y tenerlo disponible como conveniente referencia, ya que contiene información importante sobre su modelo.

OUTILS ET MATÉRIEL REQUIS BENÖTIGTE WERKZEUGE UND MATERIALIEN HERRAMIENTAS Y MATERIALES REQUERIDOS



- Deux (2) adultes capables
- Zwei (2) zur Ausführung dieser Arbeit fähige Erwachsene
- Dos (2) adultos capaces

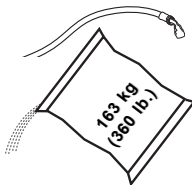


- Plaque en bois (chute)
- Holzstück
- Tabla de madera (un trozo)



- Table de soutien
- Sägebock oder Stütztisch
- Caballete o tabla de apoyo

- Tuyau d'arrosage ou sable (163 kg) (360 lb.)
- Gartenschlauch oder Sand (163 kg) (360 lb.)
- Manguera de jardín o arena (163 kg) (360 lb.)



Inscrivez ici le numéro de modèle qui apparaît sur la boîte:

Die Modellnummer vom Verpackungskarton hier eintragen:

Escriba aquí el número de modelo que viene en la caja:

Installoop



Aucun outil requis



Assemblage facile



Economie de temps de 40 %



Keine Werkzeuge erforderlich



Einfacher Zusammenbau



40% weniger Zeitaufwand



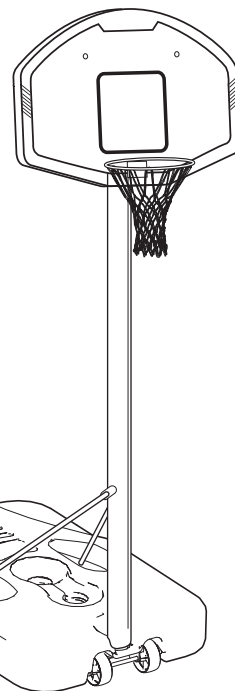
No se requieren herramientas



Fácil montaje



En 40 % menos tiempo



AVERTISSEMENT!
WARNUNG!
¡ADVERTENCIA!



LISEZ CE MANUEL D'UTILISATION AVANT D'UTILISER CET APPAREIL

SOUS PEINE DE BLESSURES OU DE DÉGÂTS MATÉRIELS.

DAS BENUTZERHANDBUCH VOR GEBRAUCH DIESES PRODUKTS SORGFÄLTIG DURCHLESEN.

EIN MISSACHTEN DIESER BETRIEBSANLEITUNG KANN VERLETZUNGEN ODER SACHSCHÄDEN ZUR FOLGE HABEN.

LEA Y ENTIENDA EL MANUAL DEL OPERADOR ANTES DE USAR ESTA UNIDAD.

SI NO SE SIGUEN LAS INSTRUCCIONES DE OPERACIÓN SE PODRÍA OCASIONAR UNA LESIÓN O DAÑOS A LA PROPIEDAD.

Numéro vert du Service clientèle - États-Unis: 1-800-772-5346, Canada: 1-800-284-8339,

Europe: 00 800 555 85234 (Suède : 009 555 85234), Australie: 1-800-632 792 Adresse Internet: www.spalding.com

Gebührenfreie Telefonnummer für die USA: 1-800-772-5346, für Kanada: 1-800-284-8339, für Europa: 00 800 555 85234 (Schweden: 009 555 85234), für Australien: 1-800-632 792 Internet-Adresse: www.spalding.com

Número telefónico sin costo del Departamento de Servicio al Cliente en EE.UU.: 1-800-772-5346, Para Canadá: 1-800-284-8339, Para Europa: 00 800 555 85234 (Suecia: 009 555 85234), Para Australia: 1-800-632 792 Dirección en Internet: www.huffysports.com www.spalding.com

AVERTISSEMENT

Lisez les avertissements indiqués ci-dessous avant d'utiliser ce produit. sous peine d'encourir des blessures graves et/ou des dégâts matériels.



Le propriétaire doit s'assurer que tous les joueurs connaissent et suivent ces règles d'utilisation sûre du système.

- **NE VOUS SUSPENDEZ PAS** sur le cerceau ou sur une autre partie du système, y compris le panneau, les supports ou le filet.
- Durant le jeu, en particulier lorsque vous faites un smash, gardez le visage à l'écart du panneau, du cerceau et du filet. Risque de blessures graves si les dents ou le visage viennent heurter le panneau, le cerceau ou le filet.
- Ne glissez et ne montez pas sur le socle et/ou le poteau, ne les secouez pas et ne jouez pas dessus.
- Une fois le montage terminé, remplissez complètement le système d'eau ou de sable. Ne laissez jamais le système à la verticale sans lester le socle, car le système risque de basculer et de causer des blessures.
- Lorsque vous réglez la hauteur ou que vous déplacez le système, gardez les mains et les doigts à l'écart des pièces en mouvement.
- Interdisez aux enfants de déplacer ou de régler le système.
- Avant le jeu, retirez vos bijoux (bagues, montres, colliers, etc.). Ces objets peuvent se prendre dans le filet.
- La surface située sous le socle doit être lisse, sans gravier ou autres objets coupants. Les perforations causent des fuites et risquent de faire basculer le système.
- Maintenez les substances organiques à l'écart du socle du poteau. L'herbe, les ordures, etc. risquent de causer la corrosion et/ou la détérioration du système.
- Vérifiez l'état du système (signes de corrosion comme rouille, piqûres, écaillage) et repeignez avec de la peinture email pour l'extérieur. Si de la rouille a piqué l'acier en tout point, remplacez immédiatement le poteau.
- Vérifiez le système avant chaque utilisation (est, visserie mal serrée, usure excessive et signes de corrosion) et réparez avant utilisation.
- Vérifiez la stabilité du système avant chaque utilisation.
- N'utilisez pas le système les jours de vent fort et/ou de tempête ; le système risque de se renverser. Placez le système dans sa position de stockage et/ou dans un lieu protégé du vent et loin de biens personnels et/ou câbles suspendus.
- Ne jouez jamais sur du matériel abîmé.
- Lorsque vous déplacez le système, soyez prudent pour empêcher le mécanisme de se déséquilibrer.
- Maintenez le poteau bouché à tout moment.
- Ne laissez pas geler l'eau du socle. Par moins de 0 degré Celsius, ajoutez 8 litres d'antigel non toxique ou du sable, ou bien videz complètement et stockez. (N'utilisez pas de sel.)
- Durant le déplacement du système, personne ne doit se tenir debout ou assis sur son socle, ni surlester le socle.
- Ne laissez pas le système sans supervision et ne jouez pas sur le système lorsque les roues se sont enclenchées pour le déplacement.
- Soyez prudent lorsque vous déplacez le système sur des surfaces irrégulières, car il risque de basculer.
- Soyez extrêmement prudent si vous placez le système sur une déclivité. Il risque de se renverser plus facilement.
- Pour les instructions d'installation et d'entretien, reportez-vous au guide fourni.

SPALDING
En EE.UU.: 1-800-558-5224
En Australie: 1-300-367-5362

RUSSELL
Les marques enregistrées en EE.UU. et dans d'autres pays.
En Australie: 1-300-367-5362

SURE SHOT
En EE.UU.: 1-800-558-5224
En Australie: 1-800-772-5346

HYDRA-RIB
En EE.UU.: 1-800-334-9111

HUFFY SPORTS
En EE.UU.: 1-800-558-5224
En Australie: 1-800-284-5339

ACHTUNG

Vor Gebrauch dieses Produkts die nachstehenden Warnhinweise lesen und beachten.
Ein Missachten dieser Warnung kann zu schweren Verletzungen und/oder Sachschäden führen.



Der Eigentümer muss sicherstellen, dass alle Spieler diese Regeln für einen sicheren Betrieb des Systems kennen und befolgen.

- **NICHT** am Korbrand oder irgendeinem anderen Teil des Systems, einschli. Korbrand, Stützstreben oder Netz HÄNGEN.
- Während des Spielbetriebs, besonders bei Slam-Dunk-Manövern, müssen die Spieler ihr Gesicht von Korbrand, Korbrand und Netz fern halten. Der Kontakt von Zähnen/Gesicht mit der Korbrand, dem Korbrand oder dem Netz kann schwere Verletzungen zur Folge haben.
- Nicht auf dem Sockel und/oder der Stange herumtitschen, klettern, daran rütteln oder damit spielen.
- Nach dem Zusammenbau das System ganz mit Wasser oder Sand füllen. Das System niemals in aufrechter Position stehen lassen, ohne den Sockel zu beschweren, da es andernfalls umkippen und Verletzungen verursachen kann.
- Beim Einstellen der Höhe oder beim Transport des Systems Hände und Finger von beweglichen Teilen fern halten.
- Kinder darf das Verschieben oder Einstellen des Systems nicht gestattet werden.
- Beim Spielen keinen Schmuck (Ringe, Armbänder, Halsketten usw.) tragen. Gegenstände dieser Art können sich im Netz verfangen.
- Die Oberfläche unter dem Sockel muss glatt und frei von Kies oder anderen scharfkantigen Gegenständen sein. Löcher verursachen Lecks und können ein Umkippen des Systems zur Folge haben.
- Organische Materialien vom Stangensockel fern halten. Gras, Abfälle usw. können Korrosion und/oder Abbaureinungen verursachen.
- Das Stangensystem auf Anzeichen von Korrosion (Rost, Narbenbildung, Abblättern) untersuchen und mit Emailauflagenfarbe neu lackieren. Wenn sich an irgendeiner Stelle Rost durch den Stahl hindurch gefressen hat, muss die Stange sofort ersetzt werden.
- Das System vor jeder Benutzung auf den richtigen Ballast, lose Befestigungsteile, übermäßige Abnutzungserscheinungen und Anzeichen von Korrosion untersuchen; vor jedem Einsatz entsprechende Korrekturmaßnahmen bzw. Reparaturen durchführen.
- Die Stabilität des Systems vor jedem Gebrauch überprüfen.
- Das System nicht bei windigen und/oder unwirtlichen Witterungsverhältnissen benutzen, da es unter diesen Umständen umkippen kann. Das System in seine Lagerposition versetzen und/oder in einen windgeschützten Bereich bringen, in dem sich weder Sachwerte noch überirdische Kabel befinden.
- Niemand an bzw. mit einer beschädigten Ausrüstung spielen. Mechanismus nicht verschieben.
- Beim Transport des Systems darauf achten, dass sich der Mechanismus nicht verschiebt.
- Das obere Stangenelement muss jederzeit mit einer Kappe abgedeckt sein.
- Das Wasser im Tank darf keinesfalls gefrieren. Bei Gefrieremperaturen den Tank mit 7,5 l eines ungiftigen Gefrierschutzmittels oder Sand füllen oder ihn völlig entleeren und lagern. (Kein Salz verwenden.)
- Beim Verschieben des Systems darf niemand auf dem Sockel stehen oder sitzen oder diesen mit zusätzlichem Ballast beschwert haben.
- Das System nicht unbeaufsichtigt lassen oder damit spielen, wenn die Räder zum Transport eingesetzt sind.
- Beim Transport des Geräts über unebene Flächen vorsichtig vorgehen. Beim System kann umkippen.
- Beim Aufstellen des Systems auf einer geneigten Fläche mit großer Vorsicht vorgehen. Das System kann unter diesen Bedingungen leichter umkippen.
- Die ordnungsgemäße Installation und Wartung ist dem Gebrauchshandbuch zu entnehmen.

SPALDING
En EE.UU.: 1-800-558-5224
En Australie: 1-300-367-5362

RUSSELL
Les marques enregistrées en EE.UU. et dans d'autres pays.
En Australie: 1-300-367-5362

SURE SHOT
En EE.UU.: 1-800-558-5224
En Australie: 1-800-772-5346

HYDRA-RIB
En EE.UU.: 1-800-334-9111

HUFFY SPORTS
En EE.UU.: 1-800-558-5224
En Australie: 1-800-284-5339

ADVERTENCIA

Lea y entienda las advertencias que se encuentran a continuación antes de usar este producto.
Si no se observan estas advertencias se podrían causar lesiones graves y/o daños materiales.



El propietario debe asegurarse de que todos los jugadores conozcan y obedezcan estas reglas para la operación segura del

- **NO SE CUELQUE** del borde ni de ninguna parte del sistema, inclusive el respaldo, las abrazaderas de apoyo y la red.
- Durante el juego, especialmente cuando se realizan actividades de tipo clavada (dunk), el jugador debe mantener la cara alejada del respaldo, el borde y la red. Si los dientes o la cara entran en contacto con el respaldo, el borde o la red, se puede sufrir una lesión grave.
- No se deslice, suba, sacuda ni juegue en la base y/o en poste.
- Cuando complete el montaje, llene completamente el sistema con agua o arena. Nunca deje el sistema en posición vertical sin llenar la base con un peso, ya que el sistema se podría caer y causar lesiones.
- Al ajustar la altura o mover el sistema mantenga las manos y los dedos alejados de las partes móviles.
- No permita que los niños muevan o ajusten el sistema.
- Durante el juego, no use joyería (anillos, relojes, collares, etc.). Estos objetos se podrían atorar en la red.
- La superficie de abajo de la base se debe mantener lisa y sin grava ni otros objetos filosos. Las perforaciones pueden causar fugas y provocar que el sistema se calga.
- Mantenga los materiales orgánicos alejados de la base del poste. El césped, la basura, etc. podrían causar corrosión y/o deterioro de la base del poste.
- Revise que el sistema del poste no tenga señales de corrosión (oxidación, picaduras, descomchaduras) y si las tiene vuelva a pintar con pintura de esmalte para exteriores. Si la corrosión penetró a través del acero en cualquier área, reemplácelo inmediatamente el poste.
- Antes de cada uso revise el sistema para verificar que esté adecuadamente equilibrado, que no tenga herraje suelto, desgaste excesivo ni signos de corrosión, y repárelo si es necesario.
- NO use el sistema durante condiciones climáticas severas y/o con mucho viento, ya que el sistema se podría caer. Coloque el sistema en posición de almacenamiento y/o en un área protegida del viento y sin propiedad personal y/o cables suspendidos.
- Nunca juegue en equipo dañado.
- Cuando mueva el sistema, tenga cuidado para evitar que el mecanismo cambie de lugar.
- Siempre mantenga la parte superior del poste cubierta con la tapa.
- No permita que el agua del tanque se congele. En clima con temperaturas de congelamiento añada dos galones de anticongelante no tóxico, arena, o vacíe completamente el tanque y almacénelo. (No use sal.)
- Al mover el sistema no permita que nadie se pare o sienta en la base o añada lastre adicional en la base.
- No deje el sistema sin supervisión ni juegue en el sistema cuando las ruedas estén engrasadas para rodar.
- Tenga cuidado al mover el sistema sobre superficies irregulares. El sistema se podría ladear.
- Use extremado cuidado si va a colocar el sistema en una superficie inclinada. El sistema se podría caer más fácilmente.
- Consulte el manual de instrucciones para ver la instalación y el mantenimiento adecuados.

SPALDING
En EE.UU.: 1-800-558-5224
En Australie: 1-300-367-5362

RUSSELL
Las marcas registradas en EE.UU. y otros países.
En EE.UU.: 1-300-367-5362

SURE SHOT
En EE.UU.: 1-800-772-5346

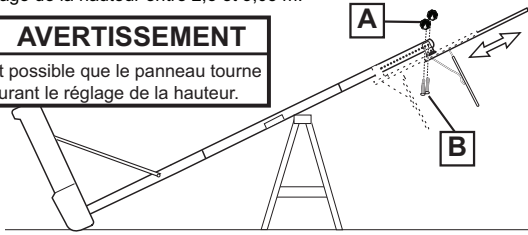
HYDRA-RIB
En EE.UU.: 1-800-334-9111

HUFFY SPORTS
En EE.UU.: 1-800-558-5224
En Canadá: 1-800-284-5339

RÉGLAGE DE LA HAUTEUR

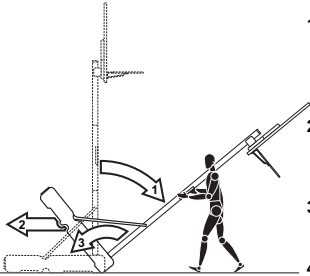
Posez l'ensemble sur une table. Retirez les boutons de réglage (A) et les boulons ordinaires (B) pour allonger ou rétracter le panneau et le cerceau. Réglage de la hauteur entre 2,3 et 3,05 m.

AVERTISSEMENT
Il est possible que le panneau tourne durant le réglage de la hauteur.



AVERTISSEMENT
Ne réglez pas la hauteur avec le système à la verticale.
Pour cette opération, le système doit être allongé.

DÉPLACEMENT DU SYSTÈME



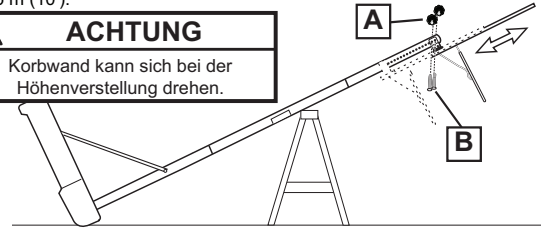
1. Tout en tenant le poteau, tournez le système de basket-ball vers l'avant jusqu'à ce que les roues touchent le sol.
2. Amenez le système de basket-ball à l'emplacement désiré.
3. Redressez avec précaution le système de basket-ball.
4. Vérifiez la stabilité du système.

FR5E2356 05/05

HÖHENEINSTELLUNG

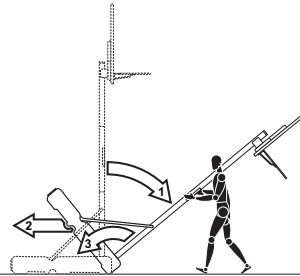
Die Vorrichtung auf einem Stütztisch ablegen. Die Einstellknopfregler (A) und Schlossschrauben (B) entfernen, um Korbwand und Korbrand zu verlängern oder zu verkürzen. Höhenverstellung zwischen 2,3 m (7,5') und 3,05 m (10').

ACHTUNG
Korbwand kann sich bei der Höhenverstellung drehen.



ACHTUNG
Die Höhe nicht bei aufrecht stehendem System einstellen. Das System muss für die Höhenverstellung auf dem Boden liegen.

TRANSPORTSYSTEM



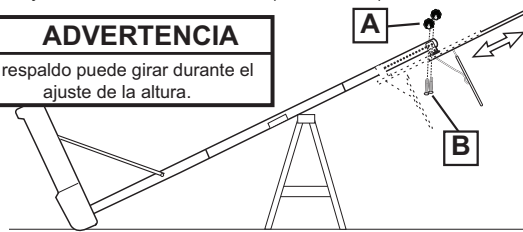
1. Die Stange festhalten; zur selben Zeit das Basketballsystem nach vorne drehen, bis die Räder den Boden berühren.
2. Das Basketballsystem an den gewünschten Ort fahren.
3. Das Basketballsystem vorsichtig in die aufrechte Position drehen.
4. Die Stabilität des Systems überprüfen.

GE5E2356 05/05

AJUSTE DE LA ALTURA

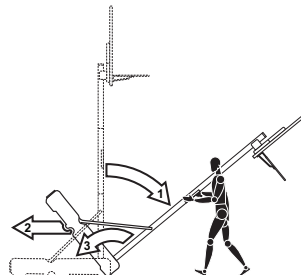
Coloque la unidad sobre la mesa de apoyo. Retire las perillas de ajuste (A) y los pernos cabeza de carro (B) para extender o retraer el respaldo y el borde. Ajuste de la altura de 7.5 a 10' (2.3 a 3.05 m).

ADVERTENCIA
El respaldo puede girar durante el ajuste de la altura.



ADVERTENCIA
No ajuste la altura del sistema mientras se encuentre en posición vertical. El sistema debe estar en posición horizontal para ajustarlo.

MOVIMIENTO DEL SISTEMA



1. Mientras sujeta el poste, gire hacia adelante el sistema de baloncesto hasta que las ruedas toquen el piso.
2. Mueva el sistema de baloncesto a la ubicación deseada.
3. Gire cuidadosamente el sistema de baloncesto hasta que quede en posición vertical.
4. Revise la estabilidad del sistema.

SP5E2356 05/05



Des questions ou des
pièces manquantes?

NE RETOURNEZ PAS au magasin!

Appelez le numéro du service clientèle
(NUMÉRO GRATUIT) qui figure en première page!



Fragen oder fehlende Teile?

Gehen Sie NICHT zum Laden zurück!

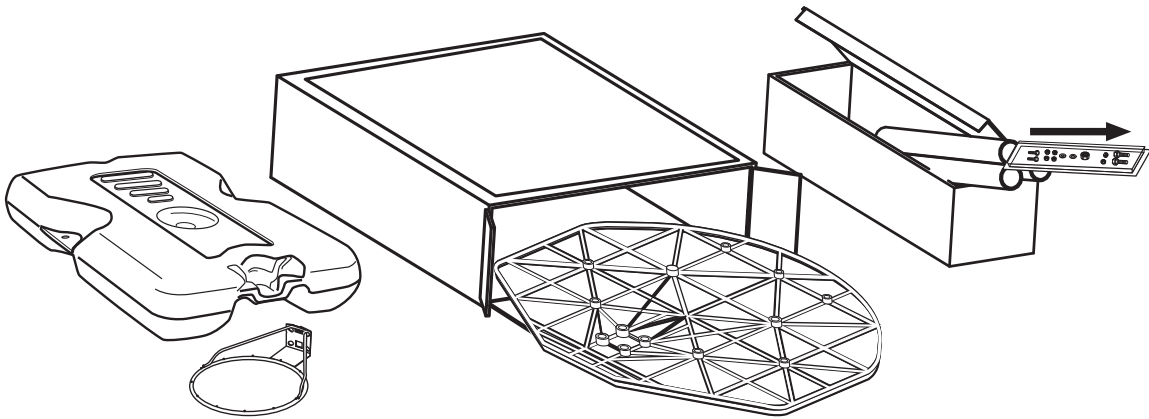
Rufen Sie die GEBÜHRENFREIE Telefonnummer
(in den USA und Kanada) auf der Vorderseite an!



¿Tiene preguntas o le faltan piezas?

¡NO regrese a la tienda!

¡Llame al número telefónico GRATUITO de Servicio
al Cliente que se indica en la primera página!



IMPORTANT!

Videz entièrement les boîtes.

Veillez à vérifier l'intérieur des sections de poteau.

La quincaillerie et des pièces supplémentaires sont emballées à
l'intérieur.

WICHTIG!

Die Kartons vollständig auspacken.

Den Hohlraum in den Stangenteilen inspizieren.

Dort sind Befestigungs- und andere Kleinteile verpackt.

¡IMPORTANTE!

Saque todo el contenido de las cajas.

Asegúrese de revisar el interior de las secciones del poste.

Ahí se han empacado herraje y piezas adicionales.

AVIS AUX PERSONNES CHARGÉES DU MONTAGE

Assemblage exclusivement réservé à un adulte. Jetez TOUT le matériel d'emballage dans les plus brefs délais. Comme pour tous les produits pour enfants, inspectez périodiquement le serrage des pièces de petite taille.

Une fois assemblé, l'ensemble DOIT être rempli de sable ou d'eau à TOUT MOMENT.

TOUS les systèmes de basket-ball, y compris ceux utilisés en EXPOSITION, DOIVENT être assemblés et installés conformément aux instructions. Suivez ces instructions sous peine d'encourir des BLESSURES GRAVES. Il est INACCEPTABLE de composer un système de soutien de fortune.

HINWEIS FÜR DIE PERSONEN, DIE DEN ZUSAMMENBAU DURCHFÜHREN

Zusammenbau nur durch Erwachsene. ALLE Verpackungsmaterialien sofort wegwerfen. Wie alle Produkte muss auch dieses regelmäßig auf lose Kleinteile inspiziert werden.

Die zusammengebaute Einheit MUSS STETS mit Sand oder Wasser gefüllt sein.

ALLE Basketballsysteme, einschließlich der zu AUSSTELLZWECKEN benutzten Systeme, MÜSSEN gemäß den Anleitungen zusammengebaut und aufgestellt werden. Ein Missachten dieser Anleitungen kann SCHWERE VERLETZUNGEN zur Folge haben. Zum Beschweren darf NICHT zu irgendwelchen Notbehelfsmaßnahmen gegriffen werden.

AVISO PARA LAS PERSONAS QUE REALIZAN EL MONTAJE

Es necesario que el montaje sea realizado por adultos. Deseche inmediatamente TODOS los materiales de embalaje. Al igual que con cualquier producto, inspeccione periódicamente para verificar que todas las piezas pequeñas estén firmemente apretadas.

La unidad montada DEBE estar llena de arena o agua en TODO momento.

TODOS los sistemas de baloncesto, inclusive los de EXHIBICIÓN, DEBEN estar montados e instalados de acuerdo con las instrucciones. Si no se siguen las instrucciones se podría ocasionar una LESIÓN SERIA. NO es aceptable improvisar un sistema de soporte temporal.



CONSIGNES DE SÉCURITÉ!



SUIVEZ CES CONSIGNES DE SÉCURITÉ SOUS PEINE DE PROVOQUER DES BLESSURES GRAVES, DES DÉGÂTS MATÉRIELS ET L'ANNULATION DE LA GARANTIE.

Le propriétaire doit s'assurer que tous les joueurs connaissent et suivent ces règles d'utilisation sûre du système.

Par mesure de sécurité, n'essayez pas de monter ce système sans suivre scrupuleusement les instructions. Un montage, une utilisation et une supervision corrects et complets sont indispensables à un bon fonctionnement et à la réduction des risques d'accident ou de blessure. Des blessures graves sont très probables si le système n'est pas installé, entretenu et utilisé correctement.

- Si vous utilisez une échelle en cours de montage, soyez extrêmement prudent.
- Vérifiez régulièrement le socle pour vous assurer qu'il ne fuit pas. Les petites fuites risquent d'entraîner le basculement intempestif du système.
- Emboîtez correctement les sections de poteau (le cas échéant). Elles risquent sinon de se déboîter en cours de jeu et/ou de transport du système.
- Les conditions climatiques, la corrosion ou une mauvaise utilisation risquent de provoquer la panne du système.
- Pour toute assistance technique, contactez le service clientèle..
- La hauteur minimale d'utilisation est de 1,98 (6' 6") m jusqu'à la base du panneau.

La plupart des blessures sont causées par une mauvaise utilisation et/ou le non-respect des instructions. Soyez prudent lorsque vous utilisez ce système.



SICHERHEITSHINWEISE



EIN MISSACHTEN DIESER SICHERHEITSHINWEISE KANN ZU SCHWEREN VERLETZUNGEN UND/ODER SACHSCHÄDEN FÜHREN UND MACHT DIE GARANTIE UNWIRKSAM..

Der Eigentümer muss sicherstellen, dass alle Spieler diese Regeln für einen sicheren Betrieb des Systems kennen und befolgen.

Aus Sicherheitsgründen darf dieses System nur unter sorgfältiger Beachtung der Anleitung zusammengebaut werden. Eine ordnungsgemäße und vollständige Montage, Verwendung und Aufsicht ist für den richtigen Betrieb und zur Reduzierung des Unfall- oder Verletzungsrisikos absolut erforderlich. Bei einer unsachgemäßen Installation und Wartung und bei einem falschen Betrieb dieses Systems besteht ein hohes Risiko schwerer Verletzungen.

- Beim Gebrauch einer Leiter während des Zusammenbaus extrem vorsichtig vorgehen.
- Den Sockel regelmäßig auf Leckstellen untersuchen. Langsam austretende Füllmittel können ein unerwartetes Umkippen des Systems verursachen.
- Die einzelnen Stangenteile richtig zusammenfügen (falls anwendbar). Andernfalls können sich die Stangenteile beim Spielbetrieb und/oder während des Transports des Systems voneinander lösen.
- Klimatische Bedingungen, Korrosion oder Fehlgebrauch kann zu Systemdefekten führen.
- Technische Unterstützung kann vom Kundendienst angefordert werden.
- Die Mindestspielhöhe beträgt 1,98m (6,6 Fuß) bis zur Unterkante der Korbwand.

Die meisten Verletzungen werden durch einen Fehlgebrauch bzw. ein Missachten der Anleitungen verursacht. Bei der Verwendung dieses Geräts vorsichtig vorgehen.



¡INSTRUCCIONES DE SEGURIDAD!



EL INCUMPLIMIENTO DE ESTAS INSTRUCCIONES DE SEGURIDAD PUEDE DAR COMO RESULTADO LESIONES GRAVES, DAÑOS MATERIALES Y ANULARÁ LA GARANTÍA..

El propietario debe asegurarse de que todos los jugadores conozcan y obedezcan estas reglas para la operación segura del sistema.

Por su seguridad, no intente montar este sistema sin seguir cuidadosamente las instrucciones. Es esencial el montaje completo, y el uso y la supervisión adecuados para la operación correcta del sistema y para reducir el riesgo de accidentes o lesiones. Existe una alta probabilidad de sufrir lesiones graves si este sistema no se instala, mantiene y opera adecuadamente.

- Si utiliza una escalera de mano durante el montaje, tenga mucho cuidado.
- Revise regularmente la base para detectar fugas. Las fugas lentas podrían causar que el sistema se cayera inesperadamente
- Asiente correctamente las secciones del poste (si aplica). Si no lo hace, las secciones del poste podrían separarse durante el juego y/o durante el transporte del sistema.
- El clima, la corrosión y el mal uso podrían ocasionar la falla del sistema.
- Si requiere asistencia técnica, comuníquese con el Departamento de Servicio al Cliente.
- La altura mínima de operación es de 1.98m (6' 6") hasta la parte inferior del respaldo.

La mayoría de las lesiones son causadas por el uso inadecuado y/o por el incumplimiento de las instrucciones. Tenga cuidado cuando use esta unidad.

LISTE DES PIÈCES

Légende **Quantité** **No de réf.** **Description**

<input type="checkbox"/>	1	1	206646	Socle (noir)
<input type="checkbox"/>	2	1	200628	Axe des roues
<input type="checkbox"/>	3	2	226401	Roue
<input type="checkbox"/>	4	1	FR908200	Section de poteau supérieure
<input type="checkbox"/>	5	1	FR908246	Section de poteau centrale avec étiquette
<input type="checkbox"/>	6	1	FR900644	Section de poteau inférieure
<input type="checkbox"/>	7	1	203041	Écrou, collet à six pans, 3/8-16
<input type="checkbox"/>	8	1		Filet
<input type="checkbox"/>	9	1	201342	Support de renforcement
<input type="checkbox"/>	10	2	201651	Entretoise, axe des roues
<input type="checkbox"/>	11	1	902319	Support du cerceau
<input type="checkbox"/>	12	1	600138	Capuchon
<input type="checkbox"/>	13	1	266001	Boulon ordinaire, 3/8-16 x 1.5 long.

Légende **Quantité** **No de réf.** **Description**

<input type="checkbox"/>	14	1	203617	Bouchon de socle
<input type="checkbox"/>	15	1	5E2356	Étiquette, réglage de hauteur et déplacement
		1	FR5E2356	Étiquette, réglage de hauteur et déplacement, français
<input type="checkbox"/>	16	3	203084	Boulon ordinaire, 5/16-18 x 1.75 long.
<input type="checkbox"/>	17	5	201344	Bouton en plastique, 3 côtés
<input type="checkbox"/>	18	1		Cerceau
<input type="checkbox"/>	19	2	203053	Boulon ordinaire, 5/16-18 x 4
<input type="checkbox"/>	20	1	900253	poteau support de montage
<input type="checkbox"/>	21	3	203309	Rondelle, D.I. 1 cm x D.E. 2,5 cm
<input type="checkbox"/>	22	1		Paneau

* Il est possible que vous ayez d'autres pièces avec ce modèle.

TEILELISTE

Nr. **Anz.** **Teilenummer** **Beschreibung**

<input type="checkbox"/>	1	1	206646	Base (Schwarz)
<input type="checkbox"/>	2	1	200628	Radachse
<input type="checkbox"/>	3	2	226401	Rad
<input type="checkbox"/>	4	1	FR908200	Oberes Stangenteil
<input type="checkbox"/>	5	1	FR908246	Mittleres Stangenteil mit Aufkleber
<input type="checkbox"/>	6	1	FR900644	Untere Stangenteilgruppe
<input type="checkbox"/>	7	1	203041	Sechskant-Flanschmutter, 3/8-16
<input type="checkbox"/>	8	1		Netz
<input type="checkbox"/>	9	1	201342	Radhalterung
<input type="checkbox"/>	10	2	201651	Abstandsstück, Radachse
<input type="checkbox"/>	11	1	902319	Befestigungsdruckscheibe
<input type="checkbox"/>	12	1	600138	Deckel
<input type="checkbox"/>	13	1	266001	Schlossschraube, 3/8-16 x 1,5 Länge

Nr. **Anz.** **Teilenummer** **Beschreibung**

<input type="checkbox"/>	14	1	203617	Basedeckel
<input type="checkbox"/>	15	1	5E2356	Höheneinstell- und Transportaufkleber
		1	FR5E2356	Höheneinstell- und Transportaufkleber, französisch
<input type="checkbox"/>	16	3	203084	Schlossschraube, 5/16-18 x 1,75 Länge
<input type="checkbox"/>	17	5	201344	Plastikknopf, 3-seitig
<input type="checkbox"/>	18	1		Korbrand
<input type="checkbox"/>	19	2	203053	Schlossschraube, 5/16-18 x 4
<input type="checkbox"/>	20	1	900253	Pol Halterung Klammer
<input type="checkbox"/>	21	3	203309	Unterlegscheibe, 0,406 ID x 1,0 AD
<input type="checkbox"/>	22	1		Korbwand

* Diesem Modell können zusätzliche Teile beige packt sein.

LISTA DE PIEZAS

Artículo **Cant.** **Pieza N.º** **Descripción**

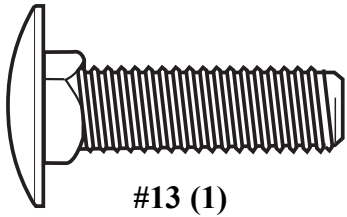
<input type="checkbox"/>	1	1	206646	Base (negro)
<input type="checkbox"/>	2	1	200628	Eje de la rueda
<input type="checkbox"/>	3	2	226401	Rueda
<input type="checkbox"/>	4	1	FR908200	Sección superior del poste
<input type="checkbox"/>	5	1	FR908246	Sección media del poste con etiqueta
<input type="checkbox"/>	6	1	FR900644	Conjunto de la sección inferior del poste
<input type="checkbox"/>	7	1	203041	Tuerca, brida hexagonal, 3/8-16
<input type="checkbox"/>	8	1		Red
<input type="checkbox"/>	9	1	201342	Soporte de la rueda
<input type="checkbox"/>	10	2	201651	Espaciador, eje de la rueda
<input type="checkbox"/>	11	1	902319	refuerzo de soporte
<input type="checkbox"/>	12	1	600138	Tapa
<input type="checkbox"/>	13	1	266001	Perno cabeza de carro, 3/8-16 x 1.5 de longitud

Artículo **Cant.** **Pieza N.º** **Descripción**

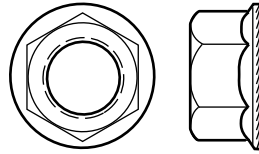
<input type="checkbox"/>	14	1	203617	Enchufe
<input type="checkbox"/>	15	1	5E2356	Etiqueta, ajuste de altura y movimiento
		1	FR5E2356	Etiqueta, ajuste de altura y movimiento, francés
<input type="checkbox"/>	16	3	203084	Perno cabeza de carro, 5/16-18 x 1.75 de longitud
<input type="checkbox"/>	17	5	201344	Perilla, plástico, 3 lados
<input type="checkbox"/>	18	1		Borde
<input type="checkbox"/>	19	2	203053	Perno cabeza de carro, 5/16-18 x 4
<input type="checkbox"/>	20	1	900253	poste para soporte montaje
<input type="checkbox"/>	21	3	203309	Arandela, .406 D.I. x 1.0 D.E.
<input type="checkbox"/>	22	1		Respaldo

* Puede haber piezas adicionales en este modelo.

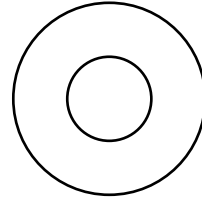
DESCRIPTIF DES PIÈCES - La visserie est grandeur nature.
TEILESCHLÜSSEL - Die Befestigungsteile sind in ihrer tatsächlichen Größe abgebildet.
IDENTIFICADOR DE PIEZAS: El herraje aparece en su tamaño real



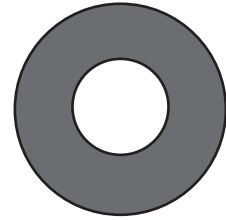
#13 (1)



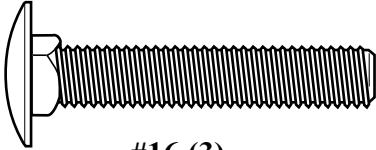
#7 (1)



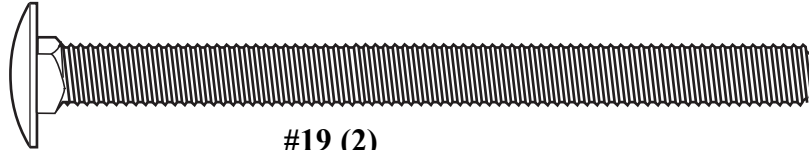
#21 (3)



#10 (2)

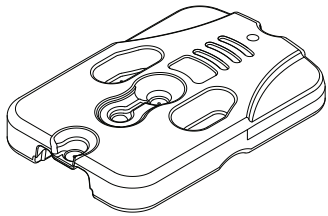


#16 (3)

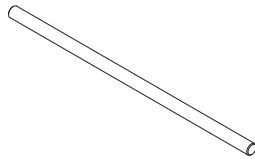


#19 (2)

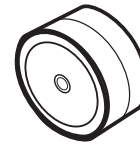
IDENTIFICATION DES PIÈCES - Pas à la grandeur réelle
TEILESCHLÜSSEL - Die einzelnen Teile sind nicht in ihrer tatsächlichen Größe abgebildet.
IDENTIFICADOR DE PIEZAS: Las piezas no aparecen en su tamaño real



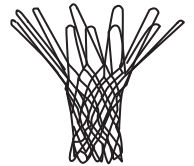
#1 (1)



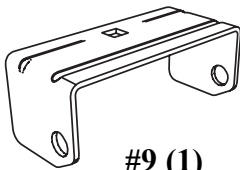
#2 (1)



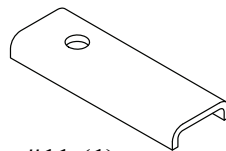
#3 (2)



#8 (1)



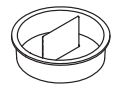
#9 (1)



#11 (1)



#12 (1)



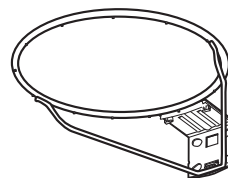
#14 (1)



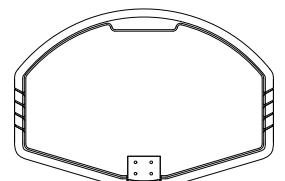
#17 (5)



#20 (1)



#18 (1)

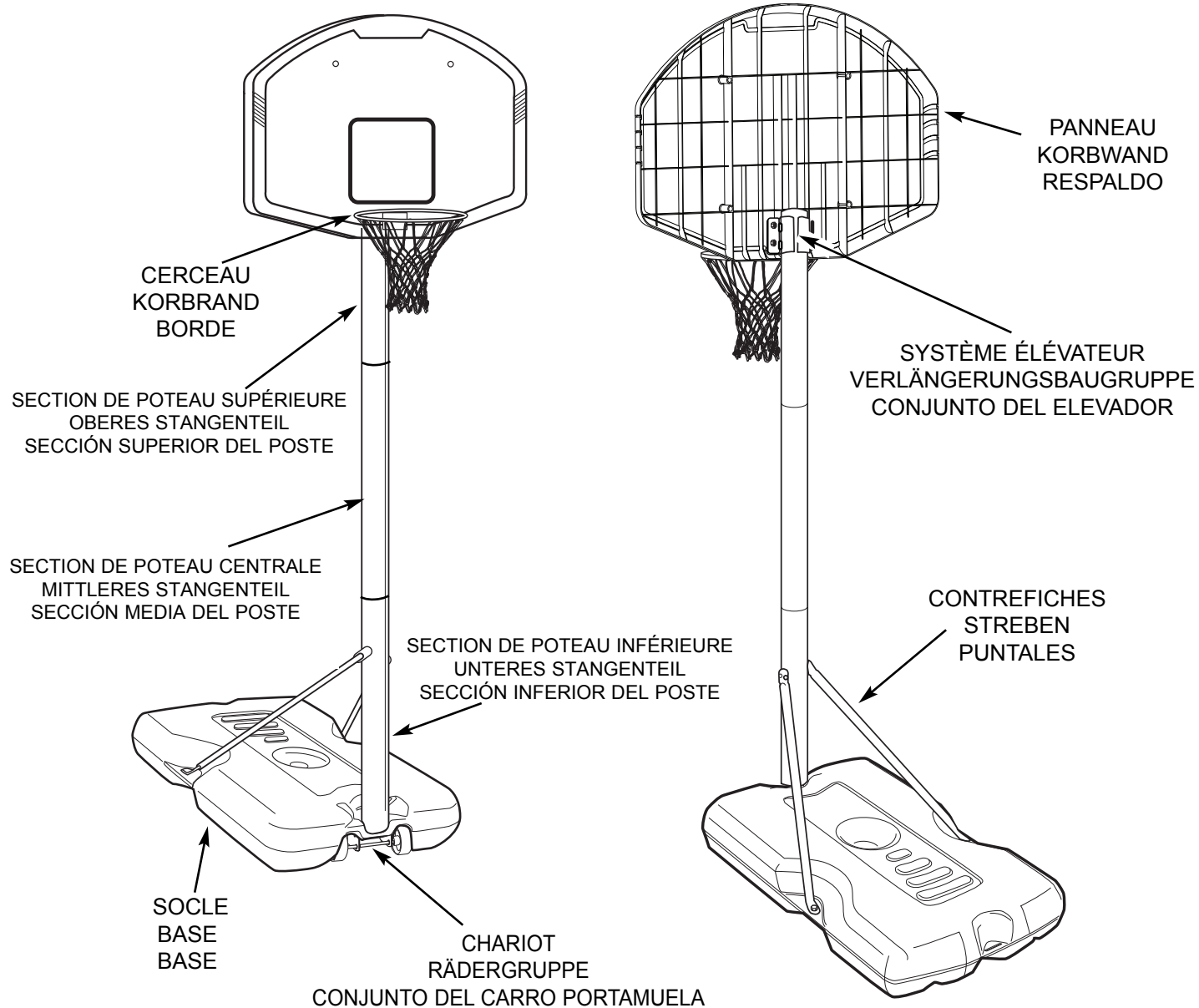


#22 (1)

Apprenez à connaître les composants de base de votre système de basket-ball...
Machen Sie sich mit den wichtigsten Teilen Ihres Basketballsystems vertraut...
Conozca las piezas básicas de su sistema de baloncesto...

**AVANT
VORDERSEITE
PARTE FRONTAL**

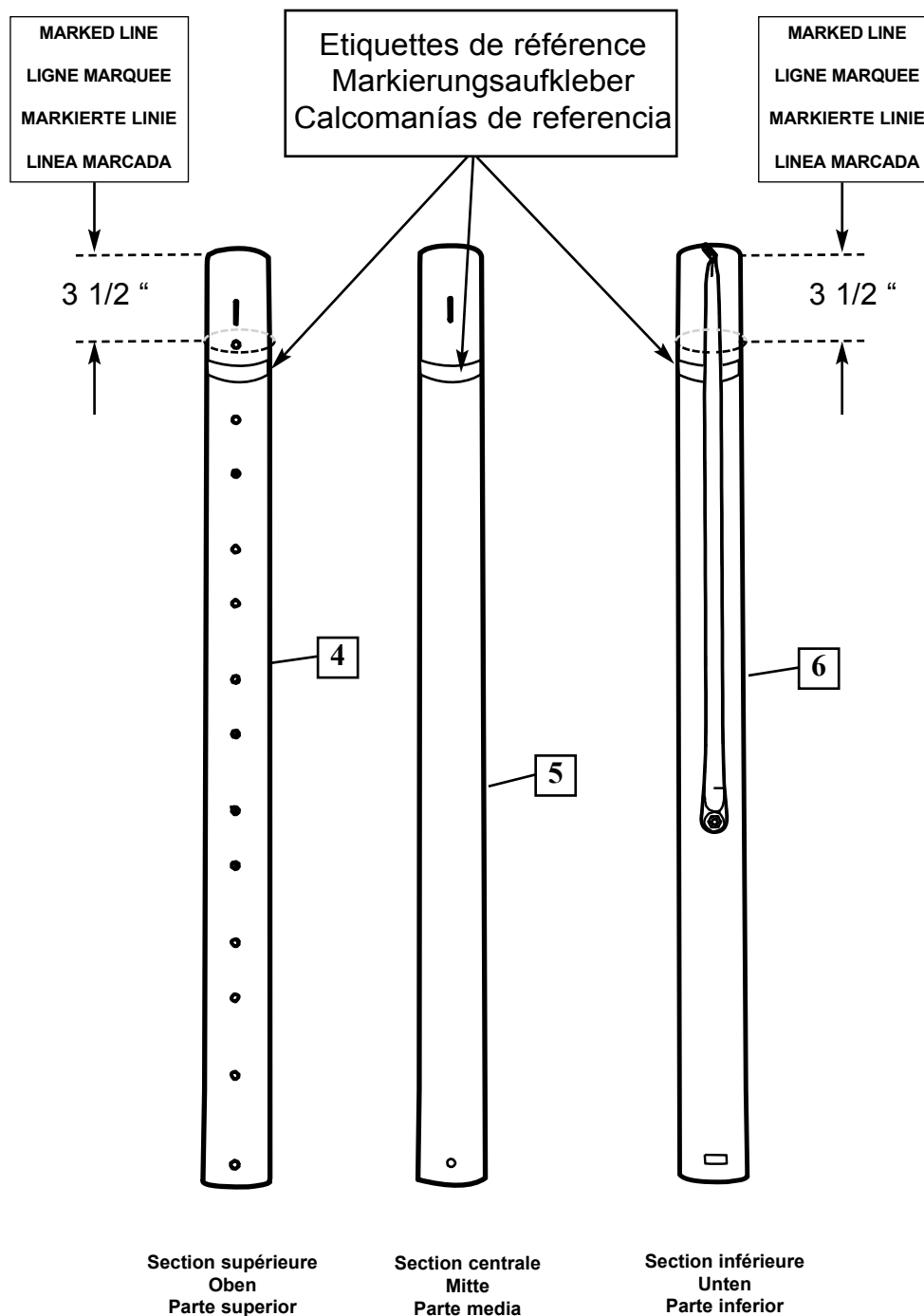
**ARRIÈRE
RÜCKSEITE
PARTE POSTERIOR**



1. Identifiez correctement chaque section de poteau. Les poteaux ont une étiquette d'identification qui servira de point de repère à l'étape suivante.

Jedes Stangenteil richtig identifizieren. Die Stangenteile sind mit Aufklebern markiert, die als Orientierungshilfe für den nächsten Schritt dienen.

Identifique correctamente cada sección del poste. Los postes tienen una calcomanía de identificación que se usará como punto de referencia en el paso siguiente.



2.

Avec une mesure de marqueur ou de bande, marquez une ligne 3 1/2 » de l'extrémité supérieure du poteau moyen (5). Tout en maintenant l'alignement, rebondissez la section moyenne de poteau (5) dans la section supérieure (4) utilisant une chute en bois comme montré jusqu'à ce que le poteau supérieur soit aligné avec la ligne marquée sur le poteau moyen.

Vous devriez avoir des 3 1/2 » du chevauchement une fois correctement rassemblé.

Mit einem Markierungs- oder Klebebandmaß markieren Sie eine Linie 3 1/2" vom oberen Ende mittleren Pfostens (5). Beim Beibehalten von Ausrichtung, prallen Sie mittleren Pfostenabschnitt (5) in Spitzenabschnitt (4) unter Verwendung eines hölzernen Schrottes wie gezeigt auf, bis der Spitzenpfosten mit der markierten Linie auf dem mittleren Pfosten ausgerichtet ist.

Sie sollten ein 3 1/2" der Deckung haben, wenn es richtig zusammengebaut wird.

Con un marcador o una cinta métrica, marque una línea 3 el 1/2" de extremo superior del poste medio (5). Mientras que mantiene la alineación, despida la sección media del poste (5) en la sección superior (4) usando un desecho de madera como se muestra hasta que el poste superior se alinee con la línea marcada en el poste medio.

Usted debe tener los 3 1/2" del traslapeo cuando está montado correctamente.



**ATTENTION!
VORSICHT!
¡PRECAUCIÓN!**

**QUAND ENSEMBLE
CONVENABLEMENT MARTELE,
LES SECTIONS DE POLONAIS
DEVRAIENT AVOIR UN 8,9 CM
RECOUVREMENT.**

**WENN ORDENTLICH ZUSAMMEN
GESCHLAGEN HAT, SOLLTEN
DIE STANGEN ABSCHNITTE EINE
3-1/2" (8,9 CM)
MINDESTÜBERLAPPUNG HABEN.**

**CUANDO APROPIADO GOLPEO
JUNTOS, LAS SECCIONES DE
ASTA DEBEN TENER UNA 3-1/2"
(8,9 CM) SUPERPOSICION.**

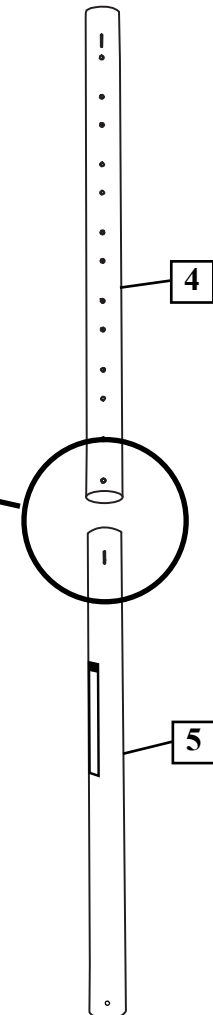
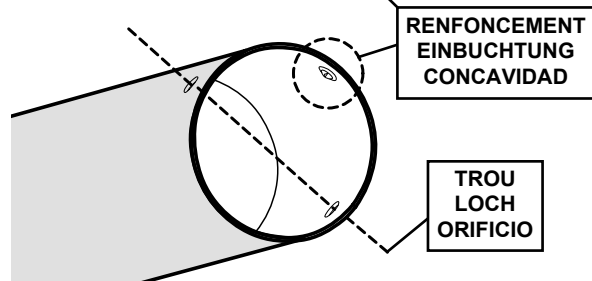
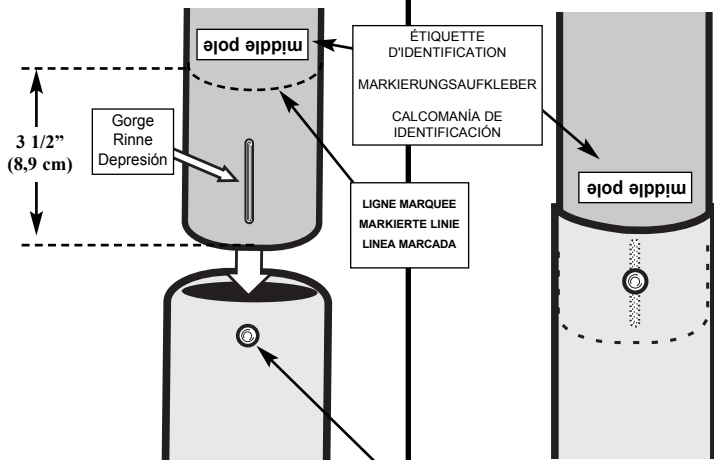


**IMPORTANT! / IMPORTANT!
WICHTIG! / ¡IMPORTANTE!**

Alignez le petit creux de la section de poteau supérieure (4) dans la gorge de la section de poteau centrale (5), comme illustré.

Die Ausbuchtung im oberen Stangenteil (4) wie gezeigt mit der Rinne im mittleren Stangenteil (5) ausrichten.

Alinee la concavidad de la sección superior del poste (4) con la depresión de la sección media del poste (5) como se muestra.



**Bout de bois (non fourni)
Holzstück (nicht im Lieferumfang enthalten)
Trozo de madera (No se suministra)**

3. Avec une borne ou un mètre, marquer une ligne 3 1/2" de la première fin de pôle inférieur (6). Le sommet de bote et l'assemblée de pôle du milieu (4 et 5) sur la section de pôle inférieure (6) utilisant un fragment de bois comme indiqué. Rebondir jusqu'à ce que le sommet et l'assemblée de pôle du milieu sont alignés avec la ligne marquée sur le pôle inférieur.

Vous devriez avoir un 3 1/2" de recouvrement quand convenablement assemblé.

Mit einer Markierung oder Messband markieren Sie eine Linie 3 1/2" von oberstem Ende der unterer Stange (6). Sprungsoberteil und mittlere Stangenversammlung (4 und 5) auf unteren Stangenabschnitt (6) benutzend einen Holzsetzen wie gezeigt. Springen Sie, bis das Oberteil und die mittlere Stangenversammlung mit der markierten Linie auf der unteren Stange ausgerichtet ist.

Sie sollten eine 3 1/2" der Überlappung wenn ordentlich montiert haben.

Con una medida de marcador o cinta, marque una línea 3 1/2" del fin primero de asta inferior (6). La cima del bote y la asamblea mediana de la asta (4 y 5) en sección inferior de asta (6) utilizando un pedacito de madera como mostrado. Bote hasta que la cima y la asamblea mediana de asta sean alineados con la línea marcada en la asta inferior.

Debe tener un 3 1/2" de superposición cuando apropiadamente reunido.

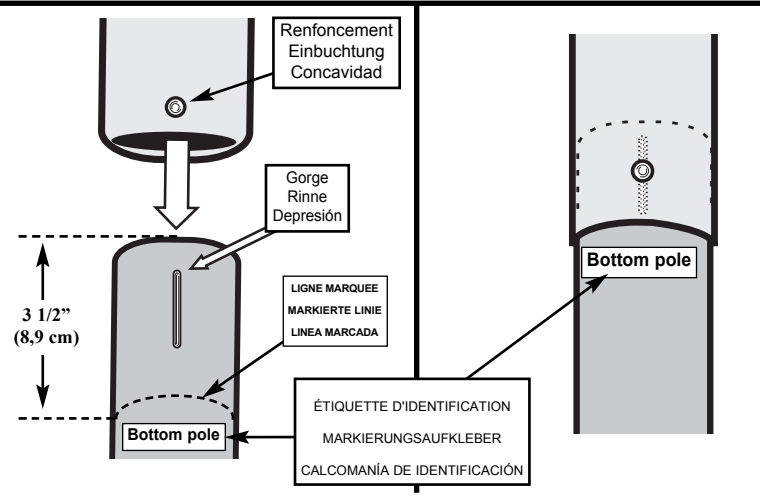


**IMPORTANT! / IMPORTANT!
WICHTIG! / ¡IMPORTANTE!**

Alignez le petit creux de la section de poteau centrale (5) sur la gorge de la section de poteau inférieure (6), comme illustré.

Die Ausbuchtung im mittleren Stangenteil (5) wie gezeigt mit der Rinne im unteren Stangenteil (6) ausrichten.

Alinee la concavidad de la sección media del poste (5) con la depresión de la sección inferior del poste (6) como se muestra.

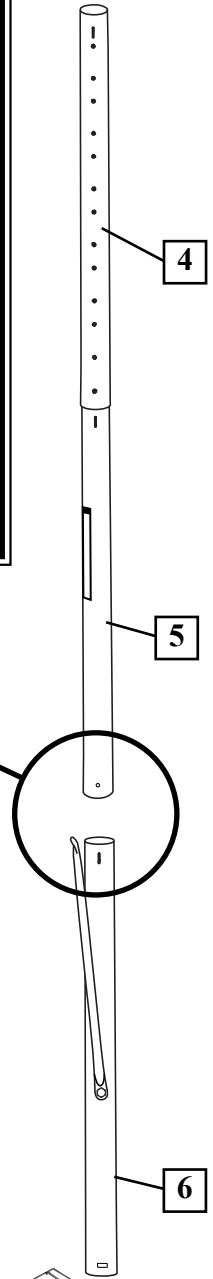


**ATTENTION!
VORSICHT!
¡PRECAUCIÓN!**

QUAND ENSEMBLE
CONVENABLEMENT MARTELE,
LES SECTIONS DE POLONAIS
DEVRAIENT AVOIR UN 8,9 CM
RECOUVREMENT.

WENN ORDENTLICH ZUSAMMEN
GESCHLAGEN HAT, SOLLTEN
DIE STANGEN ABSCHNITTE EINE
3-1/2" (8,9 CM)
MINDESTÜBERLAPPUNG HABEN.

CUANDO APROPIADO GOLPEO
JUNTOS, LAS SECCIONES DE
ASTA DEBEN TENER UNA 3-1/2"
(8,9 CM) SUPERPOSICION.



WARNING!

Pendant l'assemblée de section de Polonais, le PRE EST ASSEMBLE DES ENTRETOISES AURONT BESOIN D'ETRE OBTENU UTILISANT LA BANDE OU LES AUTRES MOYENS

Während Stange Abschnitts Versammlung MÜSSEN die VORMONTIERTEN STÜTZEN BENUTZEND BAND ODER ANDERES MITTEL GESICHERT WERDEN.

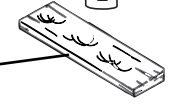
Durante la asamblea de sección de Asta, los PRE PAVONEOS REUNIDOS DEBERAN SER ASEGURADOS UTILIZANDO CINTA U OTROS MEDIOS.



Bout de bois (non fourni)

Holzstück (nicht im Lieferumfang enthalten)

Trozo de madera (No se suministra)

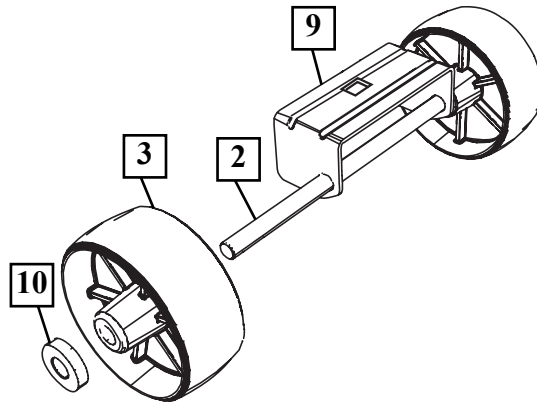


4.

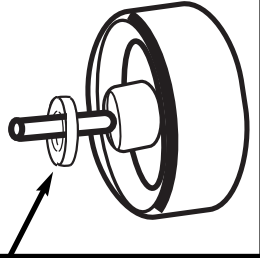
Enfilez l'axe des roues (2) dans le chariot à roues (9) et installez les roues (3) sur l'axe (2) avec les entretoises (10), comme illustré.

Die Radachse (2) wie gezeigt durch das Radlaufwerk (9) schieben und die Räder (3) mit Abstandsstücken (10) auf die Radachse (2) schieben.

Instale el eje de la rueda (2) a través del carro portamuela (9) e instale las ruedas (3) en el eje de la rueda (2) con los espaciadores (10) como se muestra.



IMPORTANT!
¡IMPORTANTE!
WICHTIG!



L'ENTRETOISE (10)
TIENDRA SANS SERRER
JUSQU'À
SA FIXATION DANS LE
TROU DU SOCLE.

DAS ABSTANDSTÜCK (10)
IST LOCKER, BIS
ES IN DEN HOHLRAUM DES
SOCKELS EINGEPASST
WIRD.

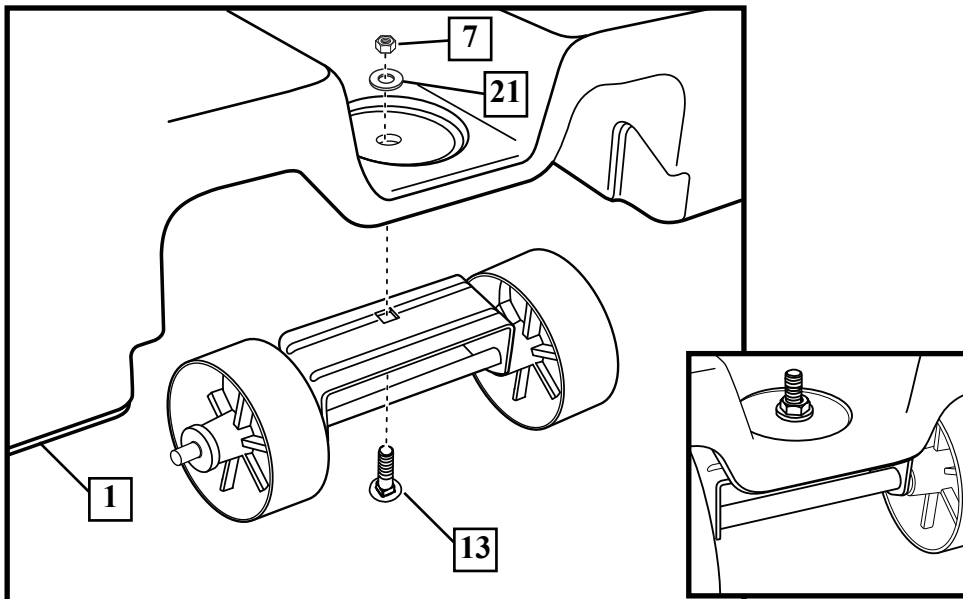
EL ESPACIADOR (10) SE
AJUSTARÁ
HOLGADAMENTE HASTA
QUE SE FIJE EN LA
CAVIDAD DE LA BASE

5.

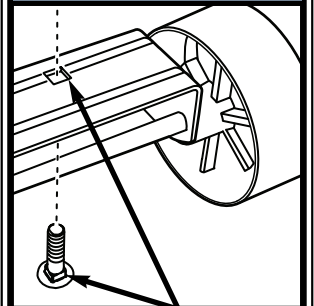
Attachez le chariot des roues au socle (1) avec le boulon (13), la rondelle (21) et l'écrou (7), comme illustré. **SERRER AVEC LES DOIGTS - AUCUN OUTIL REQUIS.** L'ensemble sera définitivement serré à l'étape suivante.

Den Rädergruppe wie gezeigt mit Schraube (13), Unterlegscheibe (21) und Mutter (7) am Sockel (1) befestigen. **MIT DEN FINGERN ANZIEHEN - KEIN WERKZEUG ERFORDERLICH.** Die Baugruppe wird im nächsten Schritt fest angezogen.

Conecte el conjunto del carro portamuela a la base (1) con el perno (13), la arandela (21) y la tuerca (7) como se muestra. **APRIETE CON LOS DEDOS, NO SE REQUIEREN HERRAMIENTAS.** El conjunto se apretará completamente en el siguiente paso.



IMPORTANT!
WICHTIG!
¡IMPORTANTE!



VEILLEZ À CE QUE LA
PARTIE CARRÉE DU
BOULON DU CHARIOT SOIT
BIEN CALÉE DANS LA
DÉCOUPE CARRÉE DU
SUPPORT DES ROUES.

SICHERSTELLEN, DASS
DER VIERECKIGE TEIL DER
SCHLOSSSCHRAUBE
RICHTIG IN DIE VIERECKIGE
AUSSPARUNG DER
RADHALTERUNG
EINGEPASST IST.

ASEGÚRESE DE QUE LA
PORCIÓN CUADRADA DEL
PERNO CABEZA DE CARRO
ESTÉ ADECUADAMENTE
ASENTADA EN LA CAVIDAD
CUADRADA DEL SOPORTE
DE LA RUEDA.

- 6.** Attachez l'ensemble du poteau au socle, comme illustré. Fixez le poteau sur le socle et le support des roues en tournant le poteau dans le sens des aiguilles d'une montre, comme illustré. Serrez le poteau à fond et tournez-le encore jusqu'à ce que les contrefiches soient correctement alignées, comme illustré à la figure B.

Den Stangenaufbau wie gezeigt an der Bodengruppe befestigen. Den Stangenaufbau wie gezeigt durch Rechtsdrehen am base und an der Radhalterung befestigen. Die Stange fest anziehen und weiter drehen, bis die Streben wie in Abb. B dargestellt korrekt ausgerichtet sind.

Instale el conjunto del poste en el conjunto de la base como se muestra. Asegure el conjunto del poste en el tanque y en el soporte de la rueda girando hacia la derecha el conjunto del poste. Apriete completamente el poste y siga girándolo hasta que los puntales estén correctamente alineados como se muestra en la FIG B.



AVERTISSEMENT!
WARNUNG!
¡ADVERTENCIA!



DEUX ADULTES CAPABLES REQUIS POUR CETTE PROCÉDURE. SUIVEZ CET AVERTISSEMENT SOUS PEINE D'ENCOURIR DES BLESSURES GRAVES ET/OU DES DÉGÂTS MATÉRIELS.

DIESER VERFAHRENSSCHRITT MUSS VON ZWEI DAZU IN DER LAGE BEFINDLICHEN PERSONEN AUSGEFÜHRT WERDEN. EIN MISSACHTEN DIESER WARNUNG KANN ZU SCHWEREN VERLETZUNGEN UND/ODER SACHSCHÄDEN FÜHREN.

SE REQUIEREN DOS ADULTOS CAPACES PARA REALIZAR ESTE PROCEDIMIENTO. SI NO SE OBSERVA ESTA ADVERTENCIA SE PODRÍA OCASIONAR UNA LESIÓN GRAVE Y/O DAÑOS A LA PROPIEDAD.



IMPORTANT!
WICHTIG!
¡IMPORTANTE!

Il faut donner environ 7 tours complets au poteau pour le serrer correctement. Une fois le poteau bien serré, le support des roues sera contre le socle. Faites-vous aider par quelqu'un qui maintiendra le socle en place durant cette étape.

Die Stange muss zur sicheren Befestigung ca. 7 mal gedreht werden. Wenn sie richtig befestigt ist, liegt die Radhalterung fest am Sockel an. Bei diesem Schritt muss der Sockel von einer zweiten Person festgehalten werden.

El poste se debe girar aproximadamente 7 vueltas completas para apretarlo adecuadamente. Cuando esté adecuadamente apretado, el soporte de la rueda quedará ajustado contra la base. Se recomienda que en este paso un asistente mantenga la base fija en su lugar.

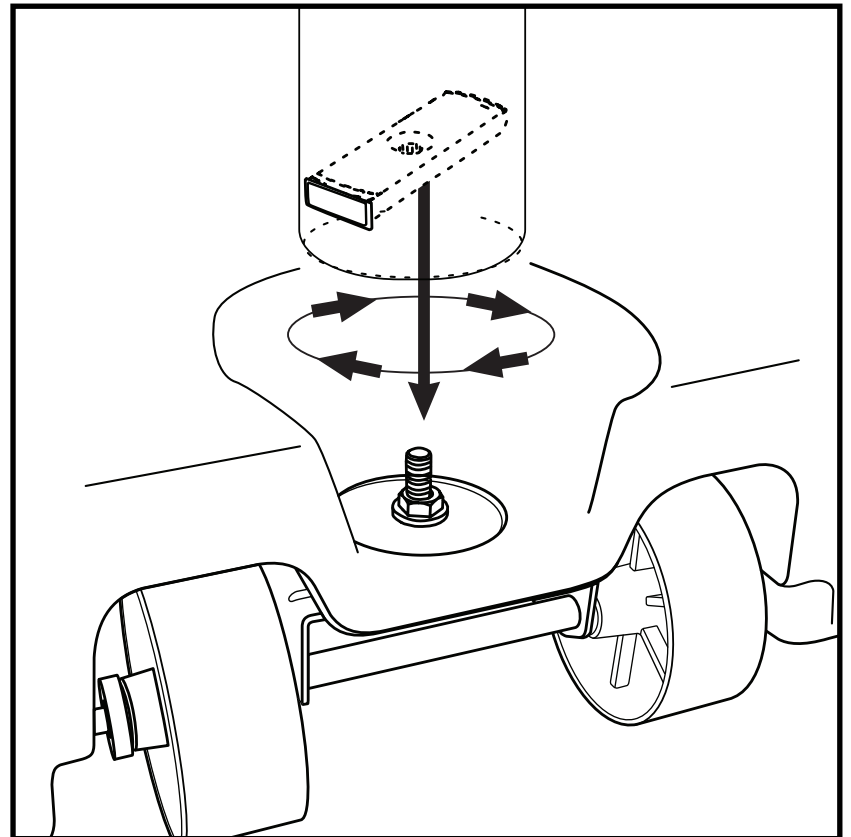
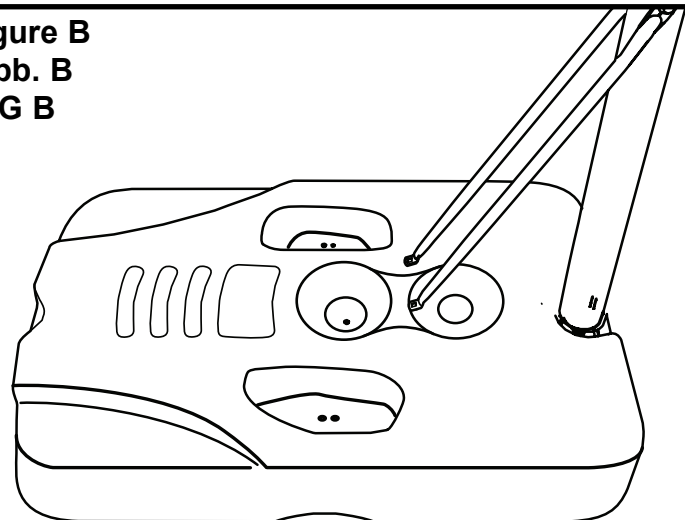


figure B
Abb. B
FIG B

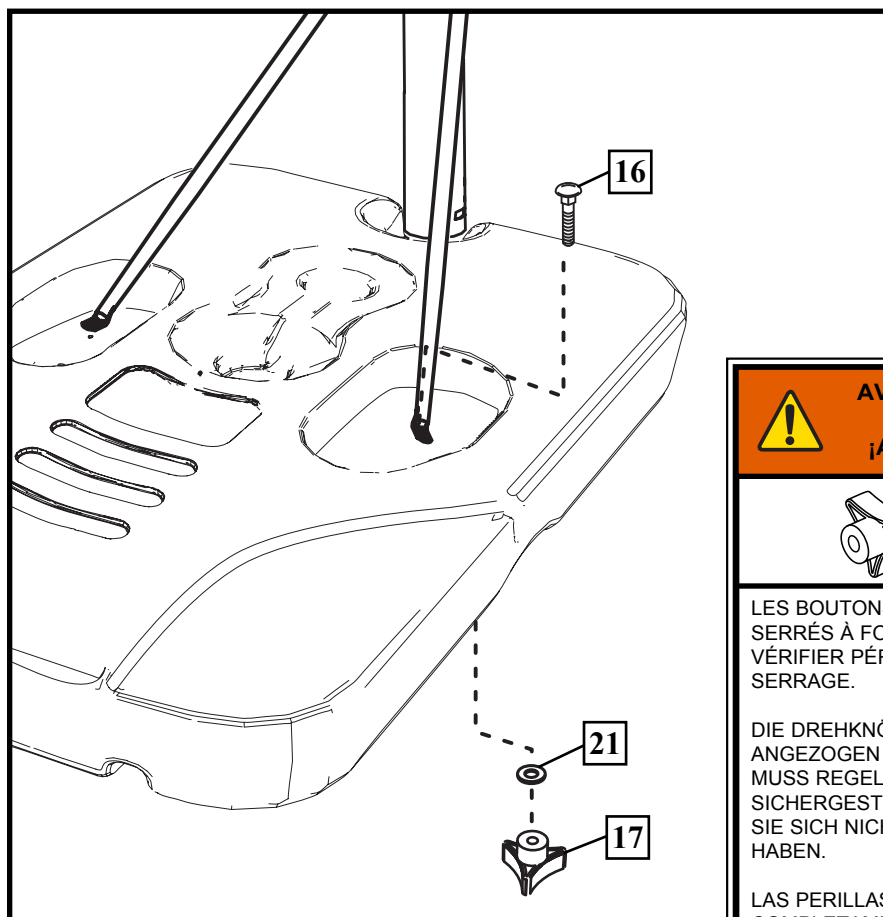
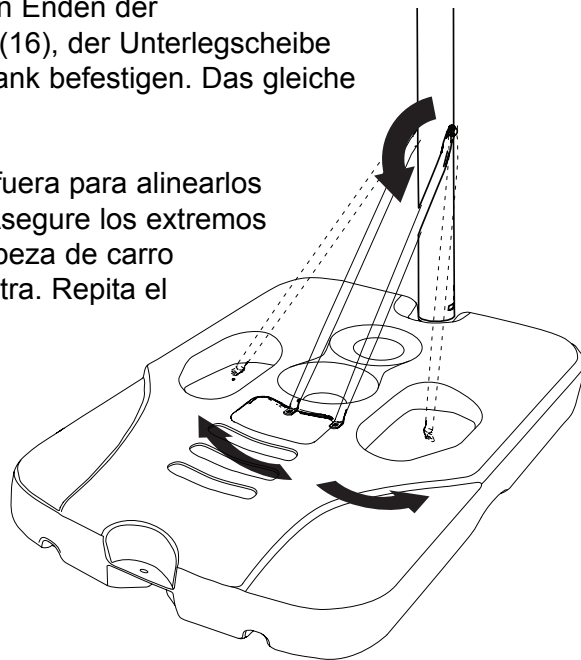


7.

Tournez les contrefiches vers le bas et courbez les contrefiches vers l'extérieur pour les aligner sur les trous du socle, comme illustré. Fixez les extrémités libres des contrefiches sur le socle avec le boulon ordinaire (16), la rondelle (21) et le bouton (17), comme illustré. Faites de même de l'autre côté.

Die Streben wie gezeigt nach unten klappen und nach außen biegen, damit sie mit den Löchern am Sockel zur Deckung kommen. Die unbefestigten Enden der Sockelverstrebrungen mit der Schlossschraube (16), der Unterlegscheibe (21) und dem Drehknopf (17) wie gezeigt am Tank befestigen. Das gleiche Verfahren auf der anderen Seite durchführen.

Gire los puntales hacia abajo y dóblelos hacia fuera para alinearlos con los orificios de la base como se muestra. Asegure los extremos libres de los puntales del base con el perno cabeza de carro (16), arandela (21) y perilla (17) como se muestra. Repita el procedimiento en el otro lado.



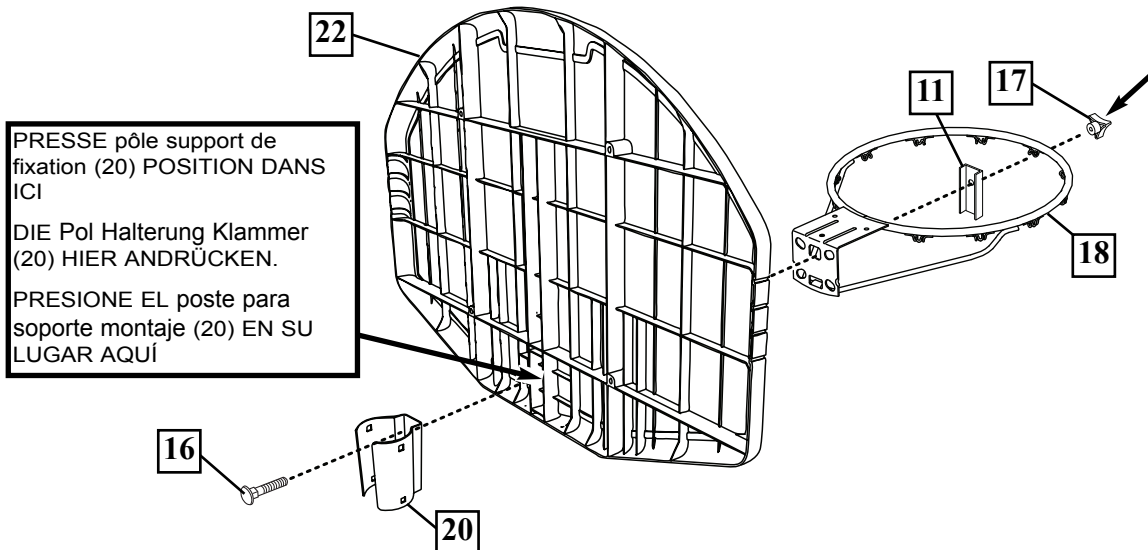
	AVERTISSEMENT! WARNUNG! ¡ADVERTENCIA!
LES BOUTONS DOIVENT ÊTRE SERRÉS À FOND ET IL FAUT VÉRIFIER PÉRIODIQUEMENT LEUR SERRAGE.	
DIE DREHKNÖPFE MÜSSEN FEST ANGEZOGEN WERDEN UND ES MUSS REGELMÄSSIG SICHERGESTELLT WERDEN, DASS SIE SICH NICHT GELOCKERT HABEN.	
LAS PERILLAS DEBEN ESTAR COMPLETAMENTE APRETADAS Y SE DEBE REVISAR PERIÓDICAMENTE SU AJUSTE.	

8.

Vous devrez appuyer légèrement sur de poteau support de montage pour l'insérer dans les crans du panneau. Veillez à l'enfoncer complètement en position. Attachez le cerceau au panneau et de poteau support de montage (20) avec le bouton (17), le support de renforcement (11) et le boulon ordinaire (16), comme illustré. Serrez le bouton à fond.

Die Pol Halterung Klammer muss mit leichtem Druck in die Korbwandriffelung eingepresst werden. Die Halterung fest andrücken. Den Korbrand wie gezeigt mit dem Drehknopf (17), der Verstärkungshalterung (11) und der Schlossschraube (16) an der Korbwand und der Pol Halterung Klammer (20) befestigen. Den Drehknopf fest anziehen.

será necesario que el poste para soporte montaje se presione ligeramente contra los rebordes del respaldo. asegúrese de presionarlo completamente en su lugar. instale el borde en el respaldo y el poste para soporte montaje (20) con la perilla (17), el soporte de refuerzo (11) y el perno cabeza de carro (16) como se muestra. apriete completamente la perilla.



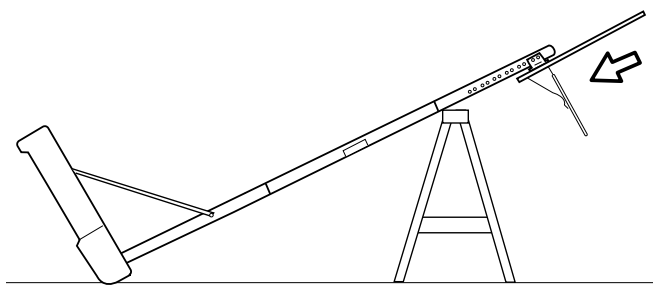
PRESSE pôle support de fixation (20) POSITION DANS ICI
 DIE Pol Halterung Klammer (20) HIER ANDRÜCKEN.
 PRESIONE EL poste para soporte montaje (20) EN SU LUGAR AQUÍ

	AVERTISSEMENT! WARNING! ¡ADVERTENCIA!
<p>LE BOUTON DOIT ÊTRE SERRÉ À FOND ET SON SERRAGE VÉRIFIÉ AVANT CHAQUE UTILISATION.</p> <p>DER DREHKNOFF MUSS FEST ANGEZOGEN WERDEN UND ES MUSS VOR JEDEM GEBRAUCH SICHERGESTELLT WERDEN, DASS ER SICH NICHT GELOCKERT HAT.</p> <p>LA PERILLA DEBE ESTAR APRETADA COMPLETAMENTE Y SE DEBE VERIFICAR SU AJUSTE ANTES DE CADA USO.</p>	

Basculez l'ensemble avec précaution vers l'avant et glissez le panneau sur le poteau, comme illustré.

Die Vorrichtung vorsichtig nach vorne kippen und die Korbwandbaugruppe wie gezeigt auf die Stange schieben.

Incline cuidadosamente la unidad hacia adelante y deslice el conjunto del respaldo en el poste como se muestra.



**CHEVALET DE SCIAGE OU TABLE
 SÄGEBOCK ODER STÜTZTISCH
 CABALLETE O MESA DE APOYO**

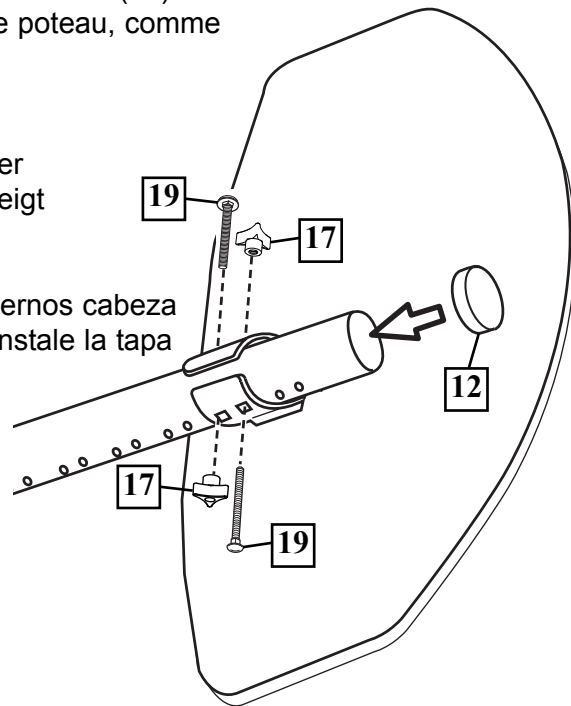
	REMARQUE: HINWEIS: NOTA:
<p>Le style de panneau peut varier. Korbwandausführung kann variieren. El estilo del tablero puede variar.</p>	

9.

Attachez le panneau au poteau avec les boulons ordinaires (19) et les boutons (17), comme illustré. Placez le capuchon (12) sur le poteau, comme illustré.

Den Korbwandaufbau wie gezeigt mit den Schlossschrauben (19) und Drehknöpfen (17) an der Stange befestigen. Die Stangenkappe (12) wie gezeigt aufsetzen.

Instale el conjunto del tablero en el poste con los pernos cabeza de carro (19) y las perillas (17) como se muestra. Instale la tapa del poste (12) como se muestra.



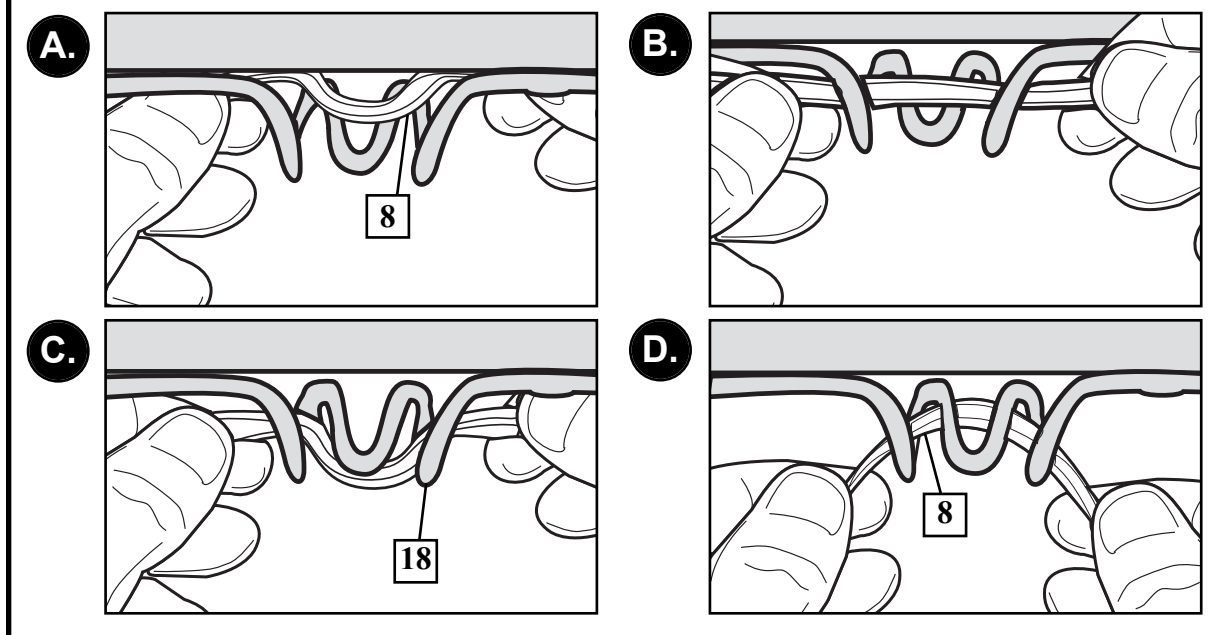
10.

Installez le filet (8).

Das Netz (8) anbringen.

Instale la red (8).

VUE EXTÉRIEURE / AUSSENANSICHT / VISTA EXTERNA

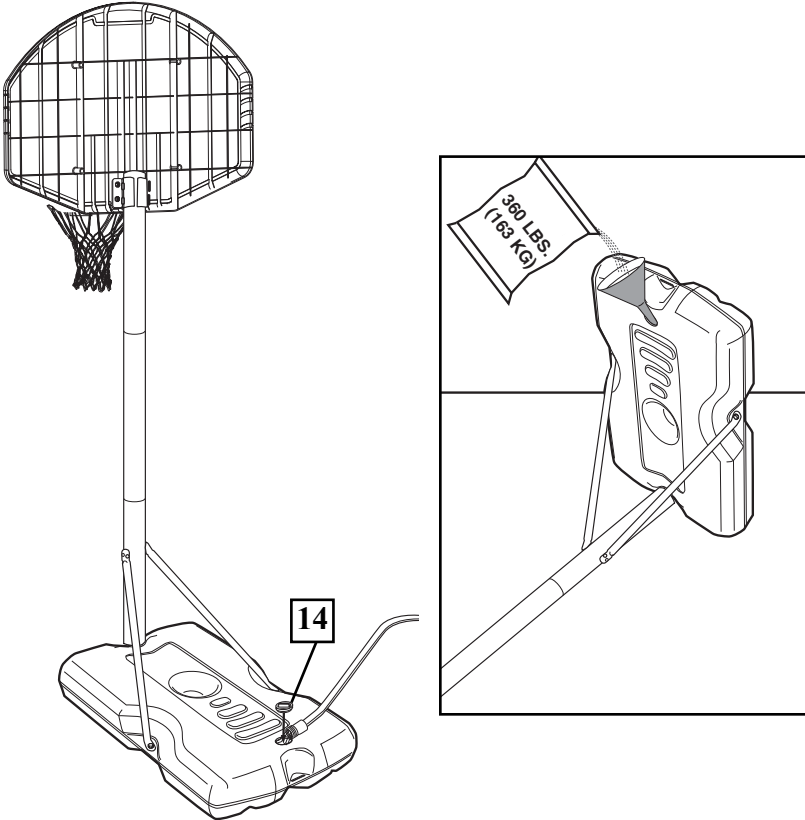


11.

Placez l'ensemble à l'emplacement de votre choix. Remplissez base avec de l'eau (26 gallons/98.4 litres) ou le sable (approximativement 360 lb./163 kg) et le bouchon de fermet (14) à sa place.

Ort hat Einheit in gewünschtem Ort montiert. Füllen Sie Basis mit Wasser (26 gallons/98.4 Litern) oder Sand (ungefähr 360 lb./163 Kg) und Knackenstöpsel (14) an der richtigen Stelle.

Coloque la unidad montada en la ubicación deseada. Llène el base con agua (98.4 litros/26 galones) o con arena (163 kg/360 libras) y conecte a presión la tapa del base (14) en su lugar.



**ATTENTION!
VORSICHT!
¡PRECAUCIÓN!**

AJOUTEZ 7,6 LITRES (2 GALLONS) D'ANTIGEL NON TOXIQUE EN PRÉVISION DE TEMPÉRATURES EN DESSOUS DE 0.

DEN BASE MIT 7,6 L (2 GAL) EINES UNGIFTIGEN GEFRIERSCHUTZMITTELS FÜLLEN, UM IN KLIMAZONEN MIT FROSTTEMPERATUREN EIN GEFRIEREN ZU VERHINDERN.

AÑADA 7.6 LITROS (DOS GALONES) DE ANTICONGELANTE NO TÓXICO SI EL CLIMA ALCANZA TEMPERATURAS DE CONGELAMIENTO.



**AVERTISSEMENT!
WARNUNG!
¡ADVERTENCIA!**



DEUX ADULTES CAPABLES REQUIS POUR CETTE PROCÉDURE. SUIVEZ CET AVERTISSEMENT SOUS PEINE D'ENCOURIR DES BLESSURES GRAVES ET/OU DES DÉGÂTS MATÉRIELS.

DIESER VERFAHRENSSCHRITT MUSS VON ZWEI DAZU IN DER LAGE BEFINDLICHEN PERSONEN AUSGEFÜHRT WERDEN. EIN MISSACHTEN DIESER WARNUNG KANN ZU SCHWEREN VERLETZUNGEN UND/ODER SACHSCHÄDEN FÜHREN.

SE REQUIEREN DOS ADULTOS CAPACES PARA REALIZAR ESTE PROCEDIMIENTO. SI NO SE OBSERVA ESTA ADVERTENCIA SE PODRÍA OCASIONAR UNA LESIÓN GRAVE Y/O DAÑOS A LA PROPIEDAD.



**REMARQUE:
HINWEIS:
NOTA:**

AVEC DU SABLE: LES HUIT LITRES D'ANTIGEL SONT INUTILES.
BEI GEBRAUCH VON SAND: WERDEN NATÜRLICH KEINE 7,6 LITER GEFRIERSCHUTZMITTEL BENÖTIGT.
SI SE USA ARENA: NO SE REQUIERE EL USO DE ANTICONGELANTE.



**AVERTISSEMENT!
WARNUNG!
¡ADVERTENCIA!**

NE LAISSEZ PAS L'ENSEMBLE SANS SURVEILLANCE LORSQU'IL EST VIDE, CAR IL RISQUE DE BASCULER.

DIE VORRICHTUNG IM LEEREN ZUSTAND NICHT UNBEAUFICHTIGT LASSEN, DA SIE UMKIPPEN KÖNNTE.

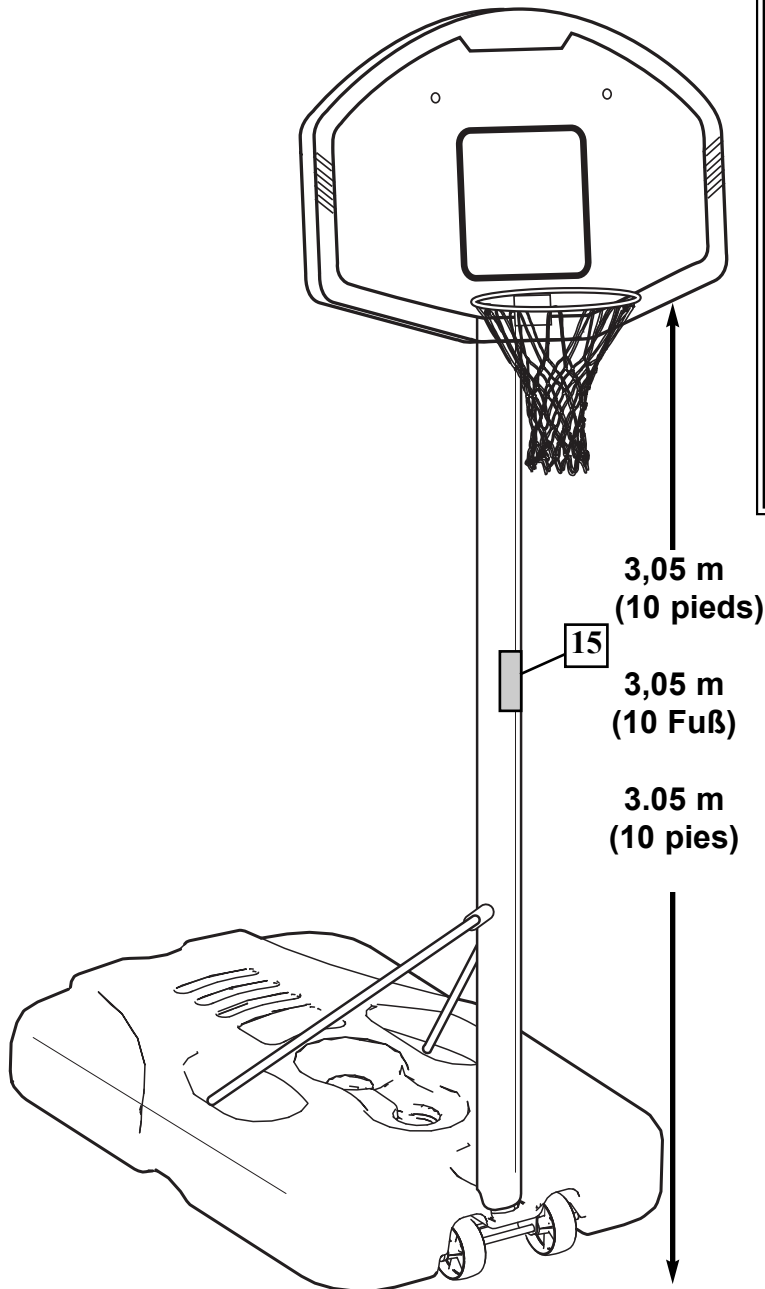
NO DEJE EL CONJUNTO DESATENDIDO CUANDO ESTÉ VACÍO, YA QUE SE PUEDE LADEAR.

12.

Collez l'étiquette de hauteur et de déplacement (15) sur l'avant du poteau, comme illustré. La hauteur réglementaire du cerceau est de 3,05 m (10 pieds).

Den Höhen- und Transportaufkleber (15) wie gezeigt an der Vorderseite der Stange anbringen. Der Korbrand wird den offiziellen Regeln gemäß in einer Höhe von 3,05 m (10 Fuß) angebracht.

Aplique la etiqueta de ajuste de la altura y de movimiento (15) en la parte frontal del poste, como se muestra. La altura reglamentaria del borde es de 3.05 m (10 pies).



ATTENTION!
VORSICHT!
¡PRECAUCIÓN!

HEIGHT ADJUSTMENT
Rest unit on support table. Remove adjustment knob (A) and carriage bolt (B) to extend or retract backboard and rim. Height adjustment is from 7'-12" to 10'.
WARNING
Do not adjust height of system in upright position. System must be in down position to adjust.
WARNING
Backboard may rotate during height adjustments.

MOVING SYSTEM
1. Adjust basketball backboard height to lowest position.
2. While holding pole, rotate basketball system forward until wheels engage with ground.
3. Move basketball system to desired location.
4. Carefully rotate basketball system upright.
5. Check system for stability.
SE5550 04/06

L'AJUSTEMENT DE HAUTEUR ET SYSTEME EN MOUVEMENT ETIQUETENT (15) LE PAS DOIT ENCOMBRER L'USINE A ATTACHE AVERTISSANT L'ETIQUETTE.

HÖHE REGELUNG UND BEWEGEND SYSTEMETIKETT (15) NICHT MUSS BLOCKIEREN FABRIK BEFESTIGT WARNEND ETIKETT.

EL AJUSTE DE LA ALTURA Y EL SISTEMA MOVIL MARCAN (15) NO DEBE OBSTRUIR LA FABRICA CONECTO ADVIRTIENDO ETIQUETA.

AVERTISSEMENT!
WARNUNG!
¡ADVERTENCIA!

INTERDISEZ À UN ENFANT DE RÉGLER LA HAUTEUR.

KINDERN DARF DAS VERSTELLEN DER HÖHE NICHT GESTATTET WERDEN.

NO PERMITA QUE LOS NIÑOS AJUSTEN LA ALTURA.